



COOLINK



COOLINK



地址 (ADD): 浙江省温岭市城西工业区
CHENGXI INDUSTRIAL ZONE, WENLING, ZHEJIANG, CHINA
电话 (TEL): +86-576-86137865
手机 (CELL): +86-13957683677
邮箱 (EMAIL): SALES@YANGYIVACUUM.COM.CN
网址 (WEB): HTTP: //WWW.YANGYIVACUUM.COM

浙江阳一真空设备有限公司
ZHEJIANG YANGYI VACUUM EQUIPMENT CO., LTD



COOLINK

R EFRIGERATION TOOL EXPERT

制冷工具专家



M ADE BY CRAFTSMANSHIP EXCELLENCE IN QUALITY

精心制造 · 质求卓越

温岭市阳一机电有限公司是一家集真空泵、回收机、制冷工具类研发、制造、销售为一体的专业化生产企业，拥有一支二十年从事真空泵、回收机研发和生产的专业团队，坚持“质量求生存，技术创新求发展”的企业宗旨和“精心制造，质求卓越”的质量方针。产品广泛应用于制冷维修、印刷机械、医疗机械、真空包装、气体分析、热塑成型等行业。

公司目前已通过CE、CQC等产品认证以及ISO9001质量体系认证，远销全球，成为行业杰出企业。

Started in 2007, Wenling Yangyi Mechanical and Electrical Products Co.,Ltd. is one of the top professional companies integrating R&D, manufacturing and sales of vacuum pumps, recovery machines and refrigeration tools in China.

The company has an experienced team engaged in R&D and production of vacuum pumps and recovery machines for 20 years to support the enterprise tenet of "Quality for Survival, Innovation for Development" and the quality policy of "Made by Craftsmanship, Excellence in Quality".

Our products are widely used in industries such as HVAC/R, printing machinery, medical machinery, vacuum packaging, gas analysis and thermoplastic molding. Thanks to CE, CQC and ETL certificates as well as ISO9001 certification, our products are able to be exported to more than 50 countries and regions around the world. During the years of operation, the company has gradually grown into an outstanding enterprise in the global HVAC tools industry.

CERTIFICATES & PATENTS

荣誉资质和专利技术

多个国家的认证证书，多项产品专利

All necessary certificates for products and quality management, dozens of product patents



01

Vacuum Pump



真空泵系列 01 - 14

02

Refrigerant Recovery



冷媒回收设备系列 15 - 22

03

Detection and Measurement Tools



检测与测量工具系列 23 - 26

04

Accessories And Sets



配件与套装系列 27 - 38

05

Hvac Tools



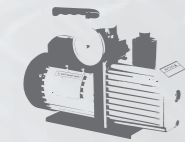
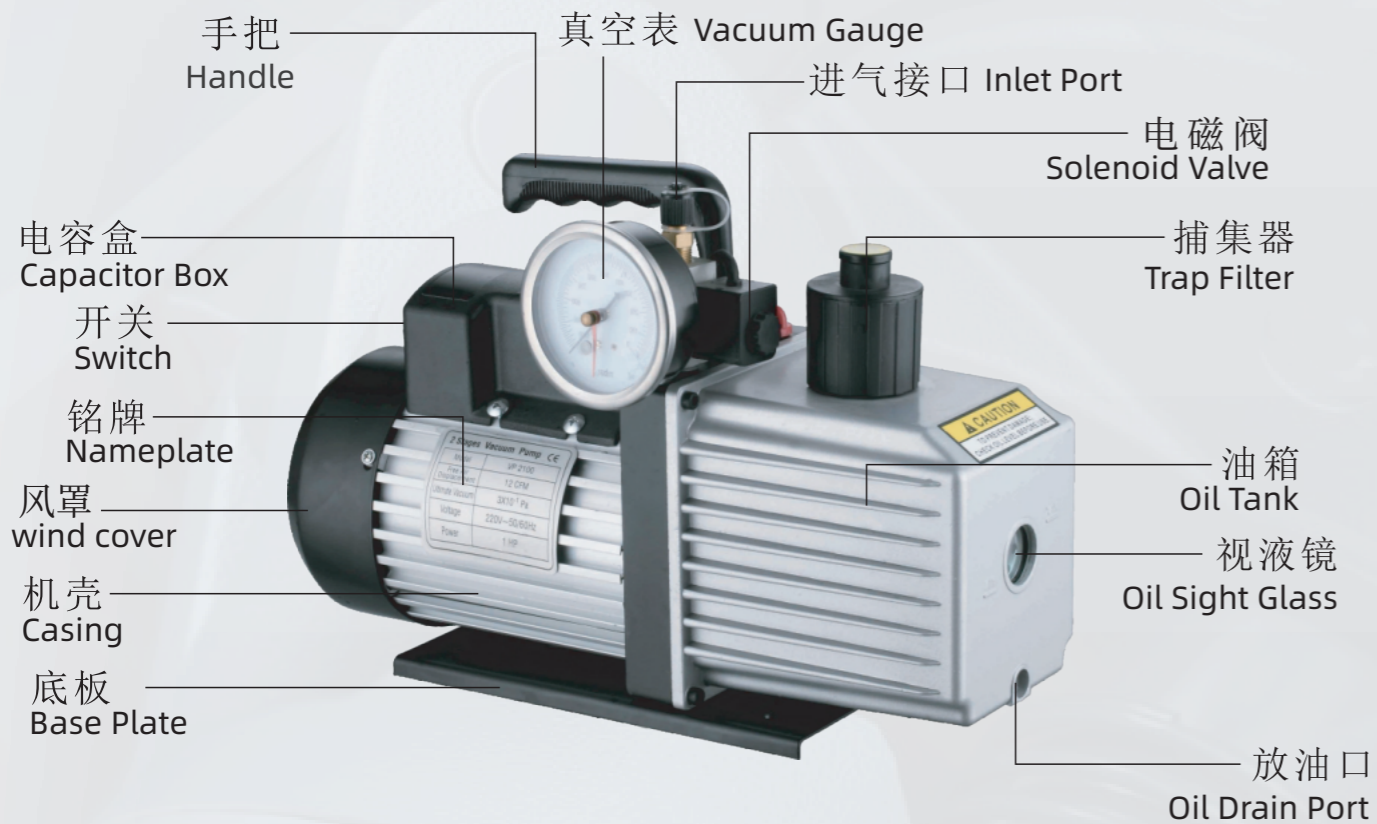
制冷工具 39 - 56

目录

CONTENTS

HIGH PERFORMANCE VACUUM PUMP (R32 is Optional)

高性能真空泵



- | | |
|----------------------|---|
| 1、高强度铝合金泵体，经久耐用。 | 1.Durable and robust aluminum alloy casing |
| 2、整体式高精度缸体结构，提高极限真空。 | 2.Integrated precise cylinder construction results in higher ultimate vacuum |
| 3、大油窗设计，防止缺油。 | 3.Easy monitoring oversized sight glass |
| 4、防返流设计，有效防止泵油进入系统。 | 4.Anti-suckback design to prevent pumpoil from flowing back into the vacuum chamber |



◆ 单极真空泵 | Single Stage Vacuum Pump | 技术参数 | Technical Parameter

型号 Type	抽气速率 Flow Rate 50Hz	抽气速率 Flow Rate 60Hz	极限真空 Ultimate Vacuum	电机功率 Power (HP)	进气接头 Inlet Port	油量 Oil Capacity (ml)	外形尺寸 Dimensions (mm)	重量 Weight (Kg)
VP115 (VP-1)	1.5 CFM 42 L/min	1.8 CFM 50 L/min	2 Pa 150 Micron	1/4	1/4" Flare	320	270x119x216	5.3
VP125 (VP1.5)	2.5 CFM 70 L/min	3 CFM 84 L/min	2 Pa 150 Micron	1/4	1/4" Flare	300	270x119x216	5.5
VP135 (VP-2)	3.5 CFM 100 L/min	4CFM 114 L/min	2Pa 150 Micron	1/3	1/4" Flare	350	278x119x216	6.5
VP145 (VP-2.5)	4.5 CFM 128 L/min	5CFM 142 L/min	2 Pa 150 Micron	1/3	1/4" Flare	350	278x119x216	6.8
VP160 (VP-3)	6 CFM 170 L/min	7CFM 198 L/min	2 Pa 150 Micron	1/2	1/4" & 3/8" Flare	450	320x134x232	10
VP180 (VP-4)	8CFM 226 L/min	9 CFM 254 L/min	2 Pa 150 Micron	3/4	1/4" & 3/8" Flare	700	370x140x250	14
VP1100 (VP-5)	10 CFM 283 L/min	12 CFM 340 L/min	2 Pa 150 Micron	1	1/4" & 3/8" Flare	800	390x140x250	14.5
SVP115 (SVP-1)	1.5 CFM 42 L/min	1.8 CFM 50 L/min	2 Pa 150 Micron	1/4	1/4" Flare	230	245x101x180	3.7

◆ 双极真空泵 | Dual Stage Vacuum Pump | 技术参数 | Technical Parameter

型号 Type	抽气速率 Flow Rate 50Hz	抽气速率 Flow Rate 60Hz	极限真空 Ultimate Vacuum	电机功率 Power (HP)	进气接头 Inlet Port	油量 Oil Capacity (ml)	外形尺寸 Dimensions (mm)	重量 Weight (Kg)
VP215 (2VP-0.5)	1.5 CFM 42 L/min	1.8 CFM 50 L/min	2x10 ⁻¹ Pa 15 Micron	1/4	1/4" Flare	180	270x119x216	6
VP225 (2VP-1)	2.5 CFM 70 L/min	3 CFM 84 L/min	2x10 ⁻¹ Pa 15 Micron	1/3	1/4" Flare	280	270x119x216	7
VP235 (2VP-1.5)	3.5 CFM 100 L/min	4CFM 114 L/min	2x10 ⁻¹ Pa 15 Micron	1/3	1/4" & 3/8" Flare	360	320x134x232	11
VP245 (2VP-2)	4.5 CFM 128 L/min	5CFM 142 L/min	2x10 ⁻¹ Pa 15 Micron	1/2	1/4" & 3/8" Flare	350	320x134x232	11.8
VP260 (2VP-3)	6 CFM 170 L/min	7CFM 198 L/min	2x10 ⁻¹ Pa 15 Micron	3/4	1/4" & 3/8" Flare	700	370x140x250	15
VP280 (2VP-4)	8CFM 226 L/min	9 CFM 254 L/min	2x10 ⁻¹ Pa 15 Micron	1	1/4" & 3/8" Flare	600	370x140x250	15.5
VP2100 (2VP-5)	10 CFM 283 L/min	12 CFM 340 L/min	2x10 ⁻¹ Pa 15 Micron	1	1/4" & 3/8" Flare	700	390x140x250	16

VB SERIES (R32 Optional)

VB SERIES VACUUM PUMP

VB 系列真空泵



Single Stage Rotary Vane Vacuum Pump | Technical Parameter

Model	SVB115	VB120	VB130	VB140	VB160	VB180	VB1200
Flow Rate (CFM)	1.5/1.8	2/2.4	3/3.6	4/4.8	6/7.2	8/9.6	12/14.4
50/60Hz (L/min)	42/50	56/68	85/100	113/135	170/203	226/270	340/407
Rated Voltage	220V~50Hz/110V~60Hz						
Ultimate Vacuum	2 Pa	2 Pa	2 Pa	2 Pa	2 Pa	2 Pa	2 Pa
Pratial Total Pressure	150 micron	150 micron	150 micron	150 micron	150 micron	150 micron	150 micron
Motor Power (HP)	1/5	1/4	1/4	1/3	1/2	3/4	1
Inlet Fittings	1/4" Flare	1/4" Flare	1/4" Flare	1/4" Flare	1/4" & 3/8" Flare	1/4" & 3/8" Flare	1/4" & 3/8" Flare
Dimensions (mm)	252 × 104 × 207	281 × 123 × 230	281 × 123 × 230	305 × 123 × 230	332 × 129 × 242	383 × 138 × 255	383 × 138 × 255
Oil Capacity (ml)	210	330	330	330	500	830	660
Weight (Kg)	4.5	5.3	5.8	7.5	9.3	14	14

Double Stage Rotary Vane Vacuum Pump | Technical Parameter

Model	VB220	VB230	VB240	VB260	VB280	VB2200
Flow Rate (CFM)	2/2.4	3/3.6	4/4.8	6/7.2	8/9.6	12/14.4
50/60Hz (L/min)	56/68	85/100	113/135	170/203	226/270	340/407
Rated Voltage	220V~50Hz/110V~60Hz					
Ultimate Vacuum	2 x 10 ⁻¹ Pa	2 x 10 ⁻¹ Pa	2 x 10 ⁻¹ Pa	2 x 10 ⁻¹ Pa	2 x 10 ⁻¹ Pa	2 x 10 ⁻¹ Pa
Pratial Total Pressure	15 micron	15 micron	15 micron	15 micron	15 micron	15 micron
Motor Power (HP)	1/3	1/2	1/2	3/4	1	1 1/2
Inlet Fittings	1/4" Flare	1/4" & 3/8" Flare	1/4" & 3/8" Flare	1/4" & 3/8" Flare	1/4" & 3/8" Flare	1/4" & 3/8" Flare
Dimensions (mm)	305 × 123 × 230	332 × 129 × 242	332 × 129 × 242	332 × 129 × 242	383 × 138 × 255	383 × 138 × 255
Oil Capacity (ml)	330	500	500	500	660	660
Weight (Kg)	8	8.3	10	10.7	15.7	15.7

- 1、一体式机身结构，高精度，高极限真空度，抽气速度更快
- 2、高质量的排气盖/加油盖能有效减少油雾
- 3、软橡胶内衬手柄，携带与使用均舒适
- 4、方形泵壳，外观独特且优雅

1. Integrated body structure, High precision, High ultimate vacuum, faster pumping speed
2. High quality exhaust / oil refill cap reduces oil mist effectively
3. Soft rubber lined handle, comfortable to carry and use
4. Unique and elegant appearance with square-shaped pump casing

DC BRUSHLESS R32 LITHIUM BATTERY DRIVEN CORDLESS VACUUM PUMP

Brushless DC Vacuum Pump | Technical Parameter



Model	VI-1A	VI-1.5A	VI-2A	VI-3A	VI-4A	VI-5A	VI-6A
Flow Rate (CFM)	2	3	4	6	8	10	12
Ultimate Vacuum	2 Pa	2 Pa	2 Pa	2 Pa	2 Pa	2 Pa	2 Pa
Pratial Total Pressure	150 micron	150 micron	150 micron	150 micron	150 micron	150 micron	150 micron
Motor Power (HP)	1/5	1/4	1/3	1/2	3/4	1	1
Inlet Fittings	1/4" Flare	1/4" & 3/8" Flare	1/4" & 3/8" Flare	1/4" & 3/8" Flare	1/4" & 3/8" Flare	1/4" & 3/8" Flare	1/4" & 3/8" Flare
Dimensions (mm)	253 × 92 × 196	302 × 118 × 283	302 × 118 × 283	302 × 118 × 283	349 × 138 × 304	349 × 138 × 304	349 × 138 × 304
Oil Capacity (ml)	250	330	330	660	620	620	830

Model	2VI-1A	2VI-1.5A	2VI-2A	2VI-3A	2VI-4A	2VI-5A	2VI-6A
Flow Rate (CFM)	2	3	4	6	8	10	12
Ultimate Vacuum	2 x 10 ⁻¹ Pa	2 x 10 ⁻¹ Pa	2 x 10 ⁻¹ Pa	2 x 10 ⁻¹ Pa	2 x 10 ⁻¹ Pa	2 x 10 ⁻¹ Pa	2 x 10 ⁻¹ Pa
Pratial Total Pressure	15 micron	15 micron	15 micron	15 micron	15 micron	15 micron	15 micron
Motor Power (HP)	1/4	1/2	1/2	3/4	3/4	1	1 1/2
Inlet Fittings	1/4" Flare	1/4" & 3/8" Flare	1/4" & 3/8" Flare	1/4" & 3/8" Flare	1/4" & 3/8" Flare	1/4" & 3/8" Flare	1/4" & 3/8" Flare
Dimensions (mm)	253 × 92 × 196	302 × 118 × 283	302 × 118 × 283	302 × 118 × 283	349 × 138 × 304	349 × 138 × 304	349 × 138 × 304
Oil Capacity (ml)	200	330	500	500	620	620	660



Model	VI-1DLi	2VI-1DLi	VI-1.5DLi	2VI-1.5DLi	VI-2DLi	2VI-2DLi	VI-3 DLi	2VI-3 DLi
Flow Rate (CFM)	2	2	3	3	4	4	6	6
Ultimate Vacuum	2 Pa	2 x 10 ⁻¹ Pa	2 Pa	2 x 10 ⁻¹ Pa	2 Pa	2 x 10 ⁻¹ Pa	2 Pa	2 x 10 ⁻¹ Pa
Pratial Total Pressure	150 micron	15 micron	150 micron	15 micron	150 micron	15 micron	150 micron	15 micron
Motor Power (HP)	1/5	1/4	1/4	1/2	1/3	1/2	1/2	3/4
Inlet Fittings	1/4" Flare	1/4" Flare	1/4" & 3/8" Flare	1/4" & 3/8" Flare	1/4" & 3/8" Flare	1/4" & 3/8" Flare	1/4" & 3/8" Flare	1/4" & 3/8" Flare
Dimensions (mm)	274 × 92 × 196	274 × 92 × 196	364 × 118 × 283	364 × 118 × 283	364 × 118 × 283	364 × 118 × 283	364 × 118 × 283	364 × 118 × 283
Oil Capacity (ml)	250	200	330	330	330	500	500	500

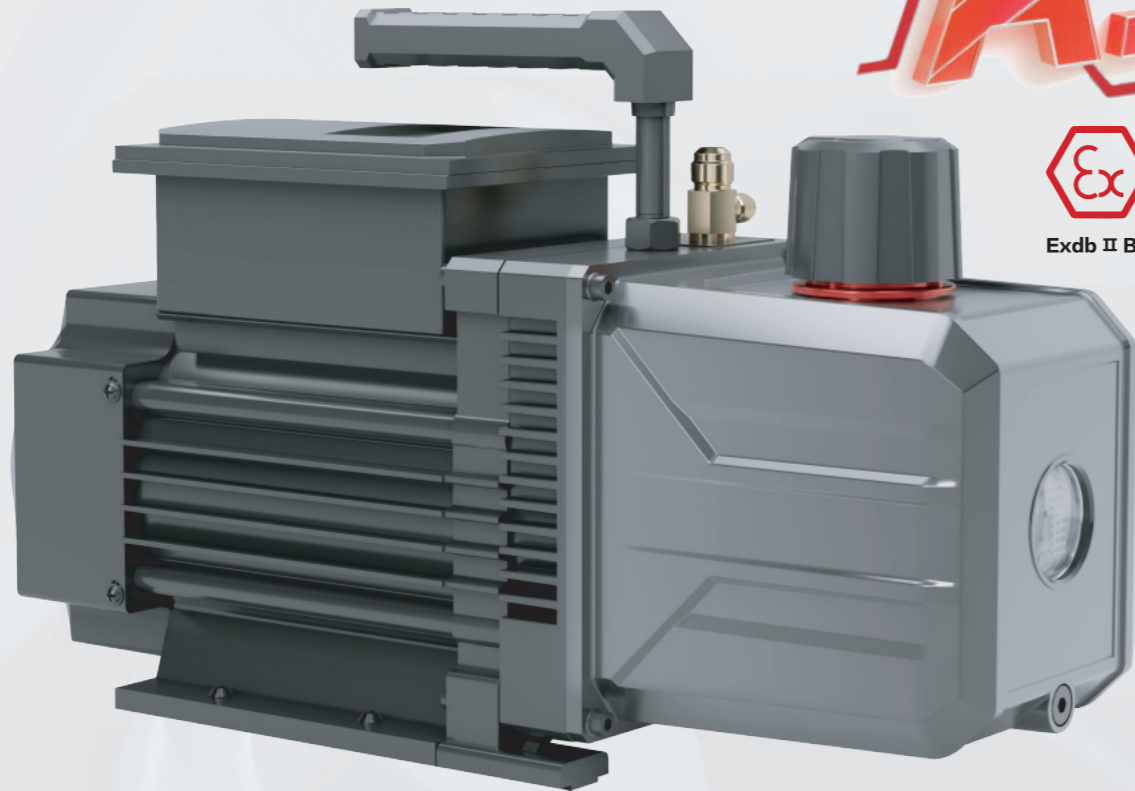
- 1、一体式机身结构，高精度，高极限真空度，抽气速度更快
- 2、无火花设计，配备无刷直流电机，体积更小，使用更方便
- 3、使用更安全的锂离子电池进行操作
- 4、使用交流适配器可实现无限续航

1. Integrated body structure, High precision, High ultimate vacuum, faster pumping speed
2. Sparkless design with brushless DC motor, smaller and more convenient to use
3. Operated with safer Li-ion battery
4. Infinite endurance with AC adapter

A3 超强性能
A3



Exdb II B T4Gb 防爆标志



VB260E/280E 隔爆型真空泵

安全设计

防爆结构：隔爆外壳、无火花电路设计

Explosion-proof structure: flameproof shell, non-sparking circuit design

VB SERIES EXPLOSION-PROOF VACUUM PUMP

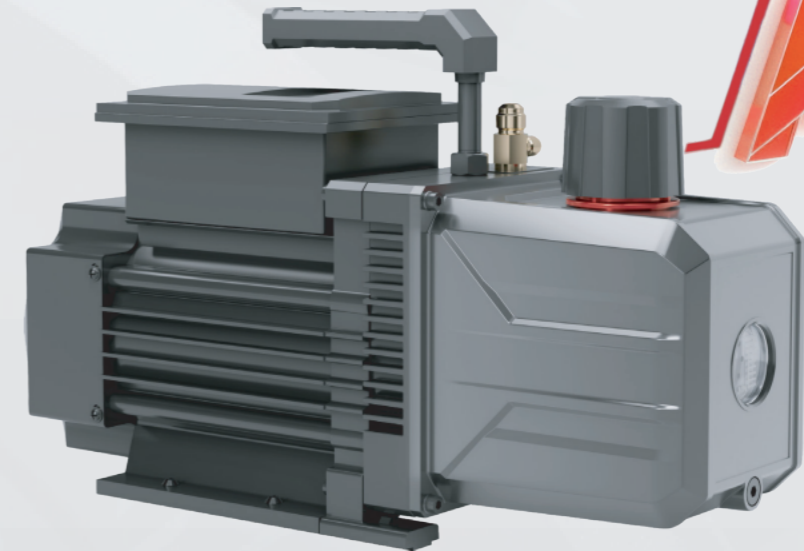
VB260E/280E 隔爆型真空泵

A3 超强性能

A3



Exdb II B T4Gb 防爆标志



安全可靠

- 安全可靠

适用于 A3、A2 等冷媒

- IP55 防护等级

强电部分满足 IP55 防护等级

- Explosion-proof switch

- Antistatic housing

- Spark-free motor

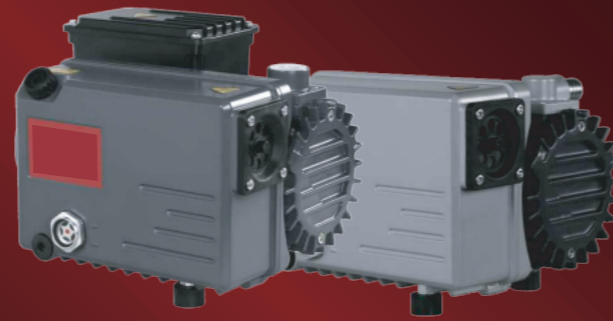
◆ 隔爆型真空泵 | Explosion-Proof Vacuum Pump | 技术参数 / Technical Parameter

参数项	规格
Model	VB260E/280E
Flow Rate	6CFM/8CFM
Ultimate Vacuum	2×10^{-1} Pa
N.W.(KG)	18.5KG/19KG
Motor Power	550 W
suitable gas	suitable for A3、A2
Anti explosion Grade	Ex db II B T4 Gb

ASV-20 ASV-20P

SINGLE STAGE ROTARY VANE VACUUM PUMP

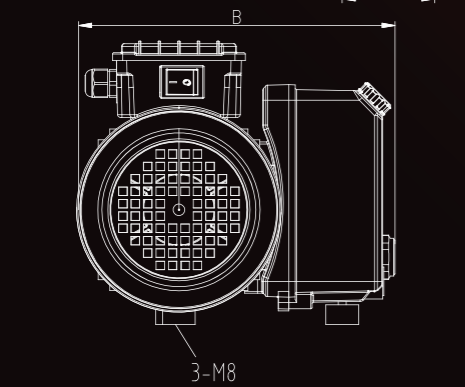
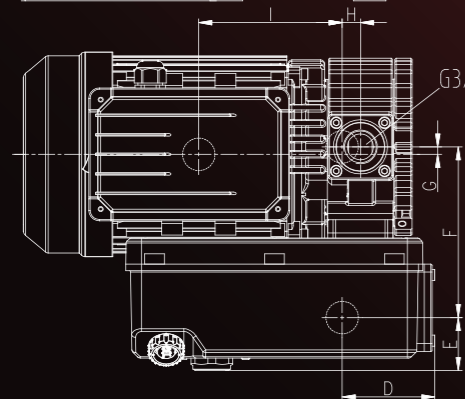
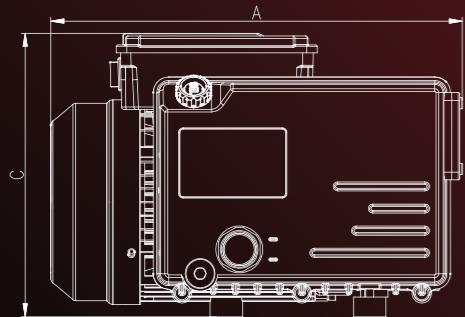
单级旋片式真空泵



ASV-20

ASV-20P

安装尺寸 Dimension drawing



技术参数 Technical parameter

型号 Model	50/60HZ	ASV-20	ASV-20P
额定流量 Rated airflow	50HZ	20m ³ /h	
	60HZ	24m ³ /h	
极限真空 Ultimate pressure	mbar(abs)	2	
口径 Diameter		G3/4" / G1/2"	
电压 Voltage	50HZ	220-240v	
	60HZ	220-240v	
	50/60HZ	100v	
	60HZ	110-120v	
电机功率 Nominal motor rating	50HZ△/Y	220-240/380-415v	
	60HZ△/Y	220-280/380-440v	
电机功率 Nominal motor rating	KW	0.75/0.9	
转速 Nominal speed	r/min	3000/3600	
噪音 Sound	(ENISO2151)	68/70	
油量 Oil	L	0.45	
重量 Kilogram	Kg	18.5	

型号 Model	A	B	C	D	E	F	G	H	I
ASV-20	316	243	218	71	40.5	131	5.3	14	110
ASV-20P	316	243	184	71	40.5	131	5.3	14	110

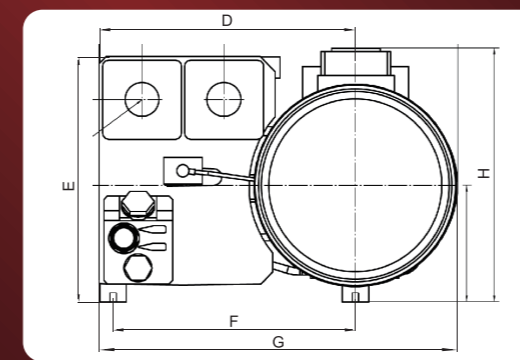
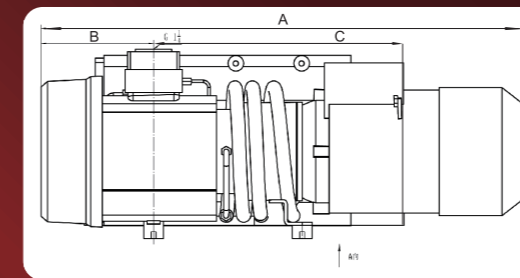
ASV-40 ASV-63 ASV-100

SINGLE STAGE ROTARY VANE VACUUM PUMP

单级旋片式真空泵



安装尺寸 Dimension drawing



技术参数 Technical parameter

型号 Model	50/60HZ	ASV-40	ASV-63	ASV-100
额定流量 Rated airflow	50HZ	40m ³ /h	63m ³ /h	100m ³ /h
	60HZ	48m ³ /h	76m ³ /h	120m ³ /h
极限真空 Ultimate pressure	mbar(abs)	0.5		
口径 Diameter		G1-1/4"		
电压 Voltage	50HZ△/Y	200-240/345-415v		
	60HZ△/Y	220-275/380-480v		
电机功率 Nominal motor rating	KW	1.5	2.2	3.0
电流 Current	50HZ	5.0/2.9A	8.5/4.9A	11.8/6.8A
	60HZ	5.4/3.1A	9.2/5.3A	13.0/7.5A
转速 Nominal speed	r/min	1440/1720	1440/1720	1405/1720
噪音 Sound	(ENISO2151)	63	64	65
油量 Oil	L	1.5	2	2
重量 Kilogram	Kg	43	56	70

型号 Model	A	B	C	D	E	F	G	H
ASV-40	650	150	327	200	270	181	300	270
ASV-63	670	150	324	295	285	286	420	300
ASV-100	760	170	353	298	285	290	420	300

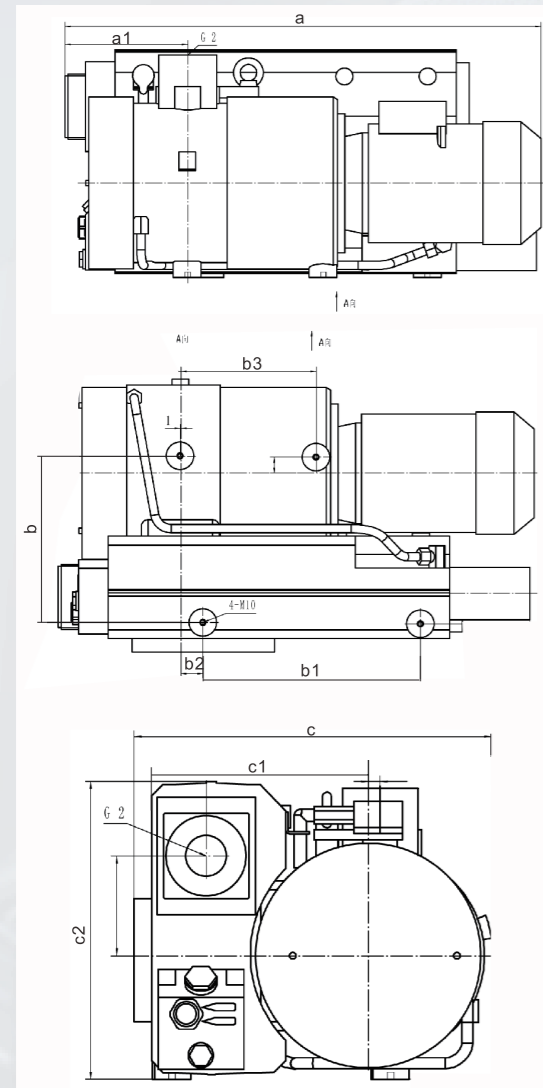
ASV-200 ASV-300

SINGLE STAGE ROTARY VANE VACUUM PUMP

单级旋片式真空泵



安装尺寸 Dimension drawing

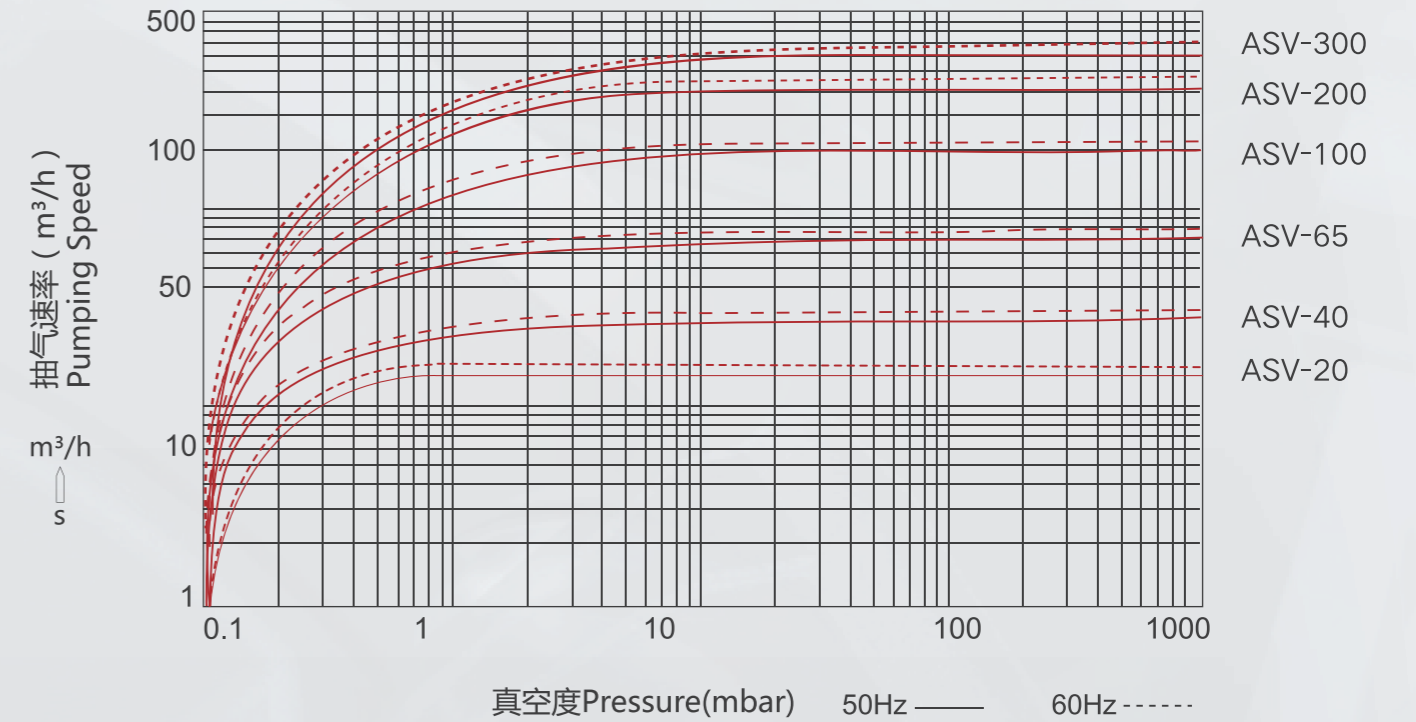


技术参数 Technical parameter

型号 Model	50/60HZ	ASV-200	ASV-300
额定流量 Rated airflow	50HZ	200m ³ /h	300m ³ /h
	60HZ	240m ³ /h	360m ³ /h
极限真空 Ultimate pressure	mbar(abs)	0.1	
口径 Diameter		G2"	
电压 Voltage	50HZ△/Y	200-240/345-415v	
	60HZ△/Y	220-275/380-480v	
电机功率 Nominal motor rating	KW	5.5	7.5
电流 Current	50HZ	9.0/5.2A	16.7/9.6A
	60HZ	9.4/5.2A	17.3/11.0A
转速 Nominal speed	r/min	1455/1720	
噪音 Sound	(ENISO2151)	69	72
油量 Oil	L	6.0	8.0
重量 Kilogram	Kg	149	193

型号 Model	a	a1	b	b1	b2	b3	c	c1	c2
ASV-200	880	225	320	385	35	245	495	345	435
ASV-300	1040	260	350	392	40	285	560	385	440

曲线图 Performance curves



量身定做的真空系统 Custom-made vacuum system

根据您的实际应用工况, 都有其不一样的专属的方案构想, 计划, 设计, 材料采购和制造环节. 对您而言, 这不仅加快了整个过程的速度, 而且还使一切变得更加容易。

According to your actual application conditions, have its own unique concept, planning, design, materials procurement and manufacturing links. For you, this not only speeds up the whole process, but also makes everything easier.

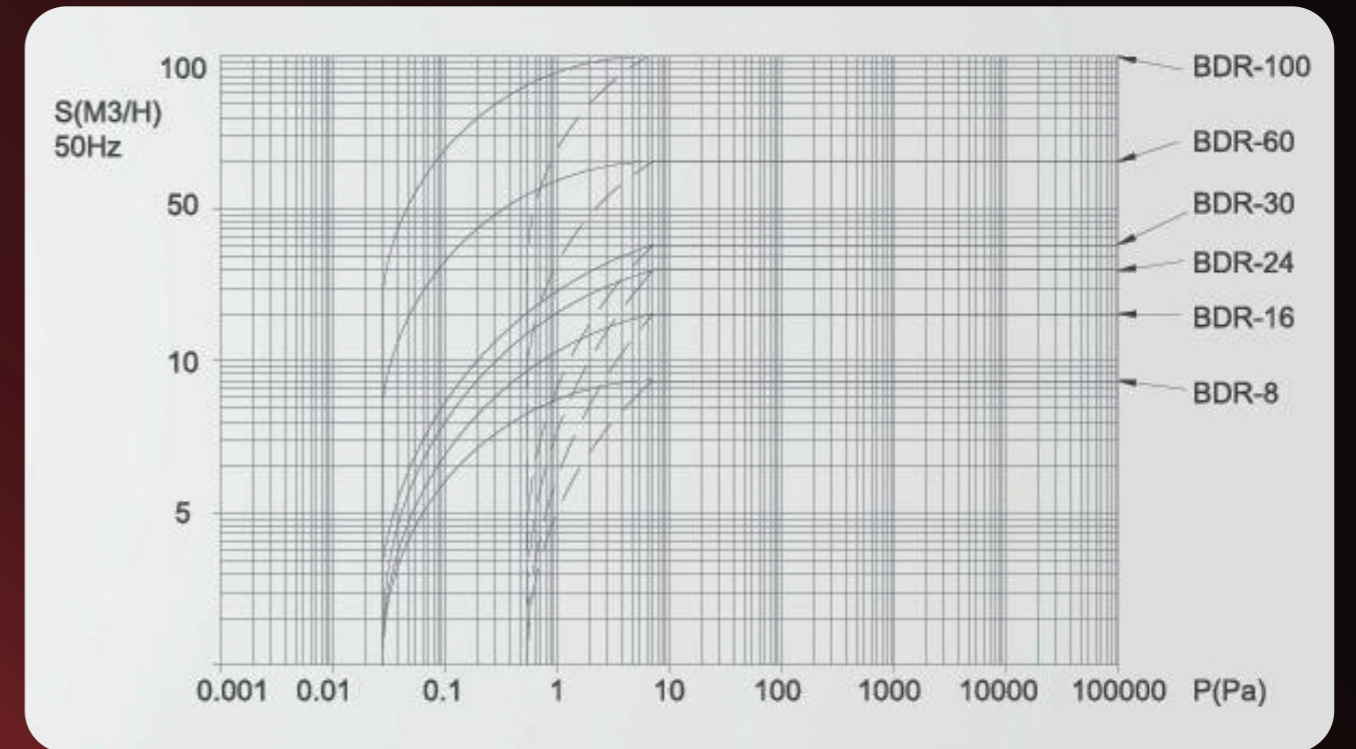


ROTARY VANE VACUUM PUMPS

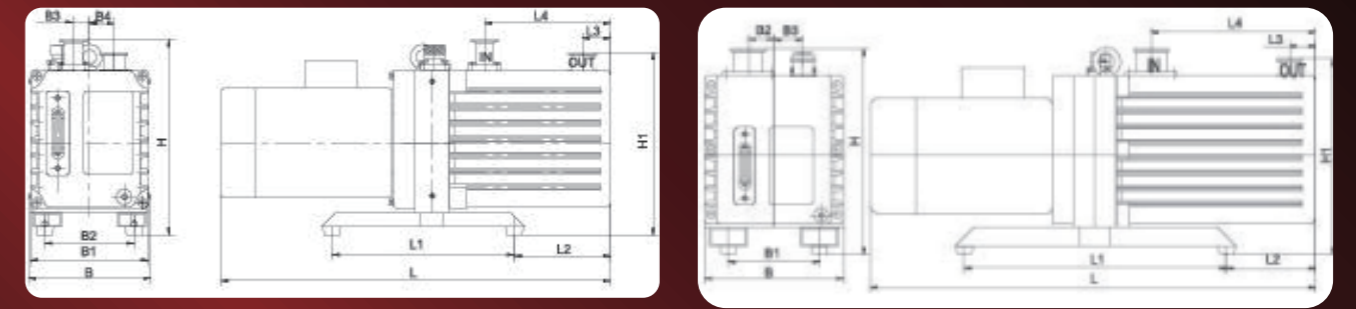
旋片真空泵系列



抽气速率曲线



安装图示



BDR-16 BDR-24 BDR-30 BDR-60

技术参数表

Model 型号	BDR-16	BDR-24	BDR-30	BDR-60
抽气速率 pumping speed	16	24	30	60
极限压强 Ultimate Pressure	5×10^{-2}	5×10^{-2}	5×10^{-2}	5×10^{-2}
电机功率 Motor power	0.55	0.75	1.1	1.5
进气口径 Inlet Diameter	FK25	FK25	FK40	FK40
所需油量 Required Oil Volume	1.4	1.5	2.5	3
噪音 Noise	80	80	65	65
重量 Weight	28	31	52	60

型号 Model	L	B	H	L1	L2	L3	L4	B1	B2	B3	B4	H1
BDR-16	515	174	279	261	97	40	160	168	128	235	35	260
BDR-24	550	174	279	261	125	40	175	168	128	235	35	260
BDR-30	608	220	346	420	75	40	202	135	41.5	47.5		303
BDR-60	676	220	346	420	127	40	240	135	41.5	47.5		303

应用领域和特点

- 1、双级高速直联结构。
- 2、配制特殊设计气镇阀，防止泵油混水，延长泵油使用时间。
- 3、采用国际同类产品设计，体积小、重量轻，噪音低，启动方便，长时间平稳运行。
- 4、防返油、不漏油、不喷油、对环境友好。
- 5、该泵可单独作为抽气使用，也可作为增压泵、扩散泵、分子泵的前级泵，系统中的维持泵、预抽泵使用。
- 6、在电真空器件制造行业、制冷行业、医疗分析仪器行业、太阳能行业、电光源行业、真空炉行业及科研单位得到广泛的应用。

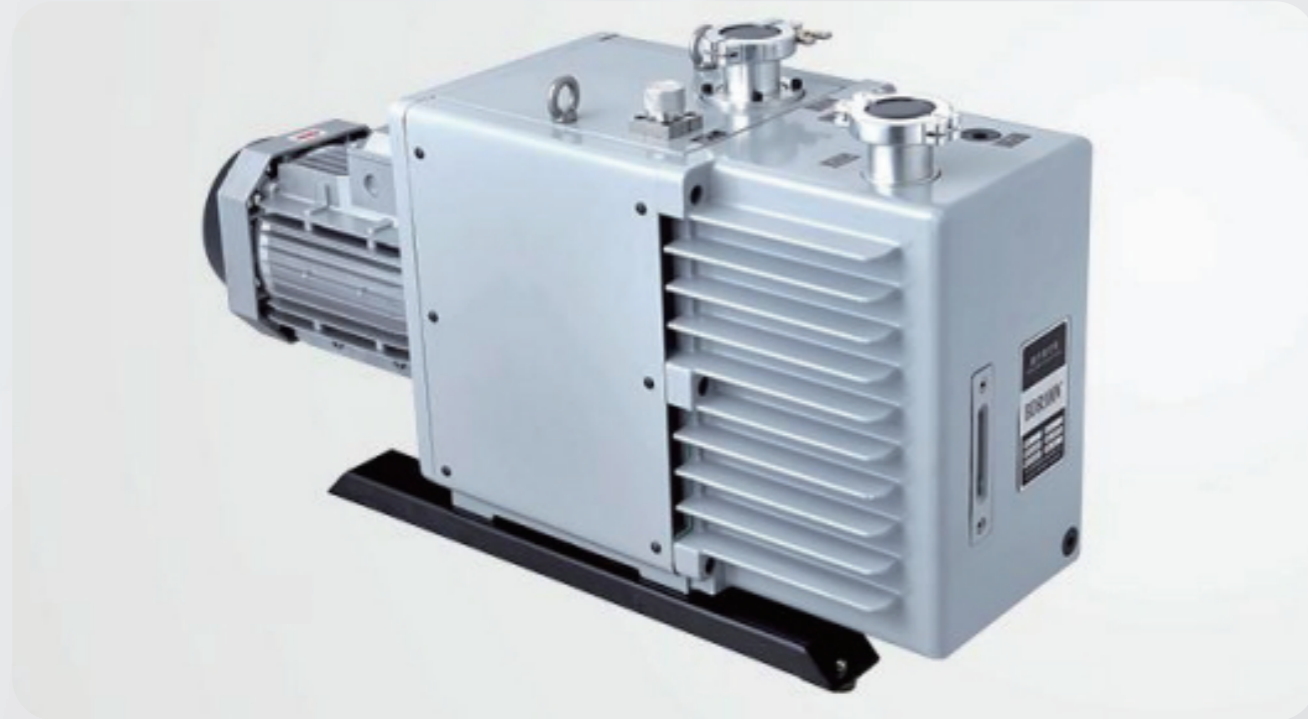
Application areas and characteristics

1. Two-stage high-speed direct-coupled structure.
2. Equipped with a specially designed gas ballast valve to prevent water mixing with pump oil, thereby extending the service life of the pump oil.
3. Designed following international standards for similar products, it features a compact size, lightweight, low noise, easy start-up, and long-term stable operation.
4. It prevents oil from returning, leaking, or spraying, making it environmentally friendly.
5. This pump can be used independently as a pumping device, or as a backing pump for booster pumps, diffusion pumps, and molecular pumps, as well as a maintenance pump and pre-pump in the system.
6. It is widely used in the manufacturing industry of electric vacuum devices, refrigeration industry, medical analysis instrument industry, solar energy industry, electric light source industry, vacuum furnace industry, and scientific research institutions.

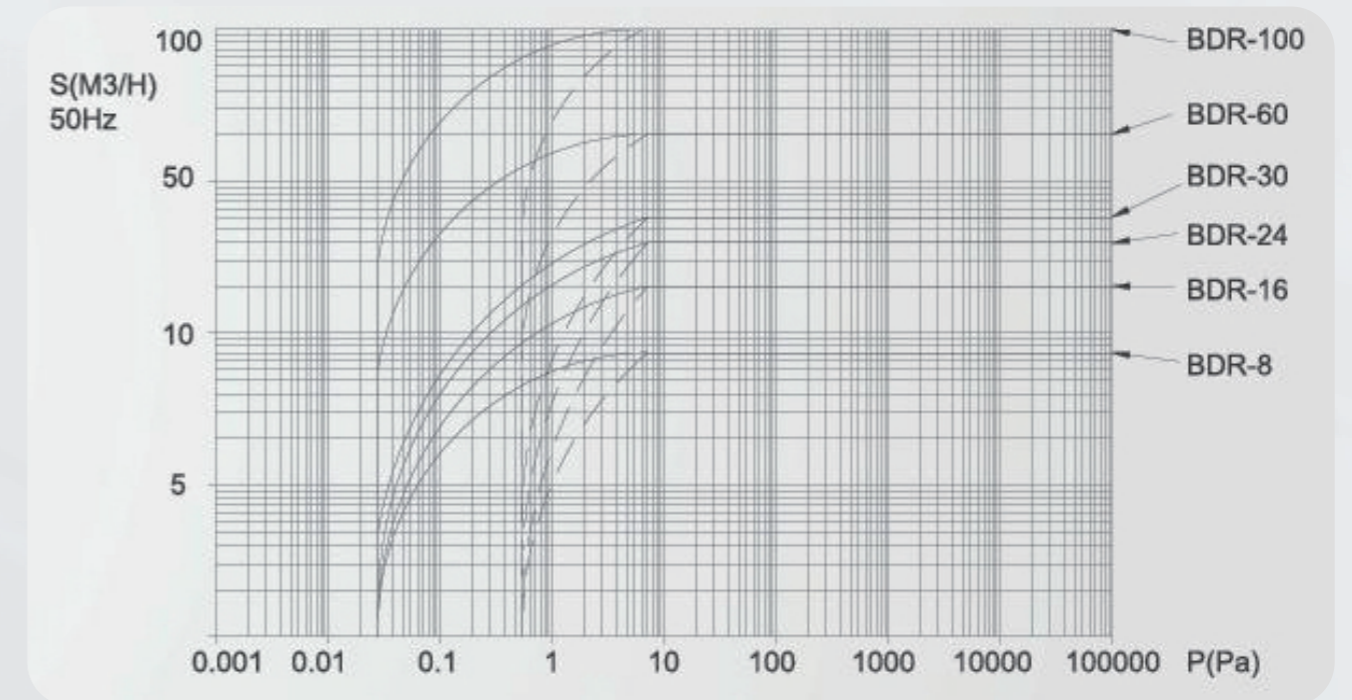
BDR-80/100

ROTARY VANE VACUUM PUMPS

旋片真空泵系列



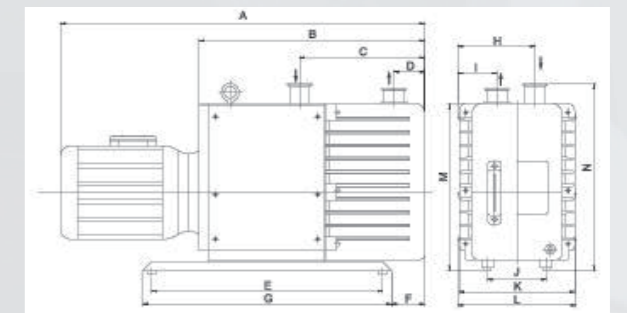
抽气速率曲线



技术参数表

Model 型号	BDR-80	BDR-100
抽气速率 pumping speed	80	100
极限压强 Ultimate Pressure	5×10^{-2}	5×10^{-2}
电机功率 Motor power	2.2	3.0
进气口径 Inlet Diameter	FK40	FK40
所需油量 Required Oil Volume	8.5	6.5
噪音 Noise	68	68
重量 Weight	90	90

安装图示



应用领域和特点

- 1、双级高速直联结构。
- 2、配制特殊设计气镇阀，防止泵油混水，延长泵油使用时间。
- 3、采用国际同类产品设计，体积小、重量轻，噪音低，启动方便，长时间平稳运行。
- 4、防返油、不漏油、不喷油、对环境友好。
- 5、该泵可单独作为抽气使用，也可作为增压泵、扩散泵、分子泵的前级泵，系统中的维持泵、预抽泵使用。
- 6、在电真空器件制造行业、制冷行业、医疗分析仪器行业、太阳能行业、电光源行业、真空炉行业及科研单位得到广泛的应用。

Application areas and characteristics

1. Two-stage high-speed direct-coupled structure.
2. Equipped with a specially designed gas ballast valve to prevent water mixing with the pump oil, thereby extending the service life of the pump oil.
3. Designed following international standards for similar products, it features a compact size, lightweight, low noise, easy startup, and long-term stable operation.
4. It prevents oil from returning, leaking, or spraying, making it environmentally friendly.
5. This pump can be used independently as a pumping device, or as a backing pump for booster pumps, diffusion pumps, and molecular pumps, as well as a maintenance pump and pre-pump in the system.
6. It is widely used in the manufacturing industry of electric vacuum devices, refrigeration industry, medical analysis instrument industry, solar energy industry, electric light source industry, vacuum furnace industry, and scientific research institutions.

型号 Model	A	B	C	D	E	F	G	H	I	J	K	L	M	N
BDR-80	830	510	280	75	530	80	555	180	95	215	270	275	390	440
BDR-100	830	510	280	75	530	80	555	180	95	215	270	275	390	440

R32 REFRIGERANT RECOVERY MACHINE

R32冷媒回收机



◀ 冷媒回收机 | Refrigerant recovery machine

技术参数/Technical Parameter

型号 Model	RR12L (R32)	RR24L (R32)
适用冷媒 Compatible Refrigerant	III: R12, R134a, R401C, R406A, R500, 1234YF IV: R407D, R408A, R409A, R411A, R411B, R412A, R502, R509, R22, R401A, R401B, R402B, R407C, V: R402A, R404A, R407A, R407B, R410A, R507, R32	
电源 Power Supply	220-240VAC/50-60Hz 110-120VAC/60Hz	
电机 Motor Power (HP)	3/4	1
压缩机 Compressor	Oil-free, Piston style, Air cooled	Oil-free, Piston style, Air cooled
高压保护 High Pressure Shut-Off	38.5 bar/3850 kPa (558 psi)	38.5 bar/3850 kPa (558 psi)
工作温度 Operating Temperature	0°C ~40°C /32° F~104° F	0°C ~40°C /32° F~104° F
回收速率 Recovery Rate	气态 Vapor: 0.26 kg/min 液态 Liquid: 1.85 kg/min/min 推拉模式 Push/Pull: 6.22 kg/min	气态 Vapor: 0.52 kg/min 液态 Liquid: 3.70 kg/min 推拉模式 Push/Pull: 9.95 kg/min
外形尺寸 Dimensions (mm)	418x250x345	418x250x345
重量 Weight (Kg)	14	15



应用范围:

大型中央空调系统的冷媒回收处理、地热泵机组的冷媒回收工作、热氟烘干设备的雪种回收工程、冷库制冷机组的维修更换过程冷媒回收。

特点:

- 1、无油压缩机，可回收各类冷媒
- 2、自净化功能，清除机内残留冷媒
- 3、低压保护，自动停机
- 4、高压保护，复位按键

Applications:

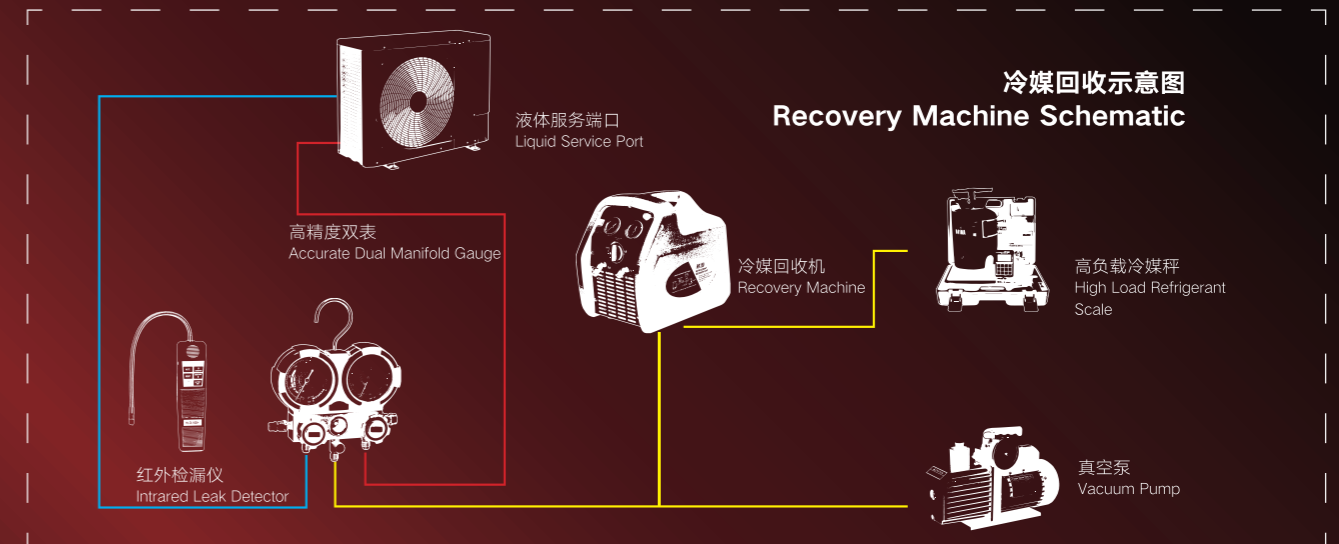
Refrigerant recovery for large central air-conditioning systems, geothermal heat pump units, thermal fluoride drying equipment and refrigerant recovery during maintenance of refrigeration units in cold storage.

Features:

- 1.Oil-free compressor recovers vapor and allkinds of liquid refrigerants
- 2.Self-purge function to clean up the remaining refrigerants in the machine
- 3.Low pressure protection, automatic stop
4. High pressure protection with cut-off switch

REFRIGERANT RECOVERY MACHINE

冷媒回收机



◀ 冷媒回收机 | Refrigerant recovery machine

技术参数/Technical Parameter

型号 Model	RR250	RR500
适用冷媒 Compatible Refrigerant	III:R12,R134a,R401C,R406A, R500, IV:R407D,R408A,R409A, R411A,R411B,R412A,R502,R509,R22,R401A,R401B,R402B,R407C, V:R402A,R404A,R407A,R407B,R410A,R507	
电源 Power Supply	220-240VAC/50-60Hz 110-120VAC/60Hz	
电机 Motor Power(HP)	3/4	1
压缩机 Compressor	Oil-free, Piston style, Air cooled	Oil-free, Piston style, Air cooled
高压保护 High Pressure Shut-Off	38.5 bar/3850kPa	38.5 bar/3850kPa
工作温度 Operating Temperature	0°C~40°C/32° F~104°F	0°C~40°C/32°F~104°F
回收速率 Recovery Rate	气态 Vapor:0.26 kg/min 液态 Liquid:1.85 kg/min 推拉模式 Push/Pull:6.22 kg/min	气态 Vapor:0.52 kg/min 液态 Liquid:3.70 kg/min 推拉模式 Push/Pull:9.95 kg/min
外形尺寸 Dimensions(mm)	418x250x345	418x250x345
重量 Weight(Kg)	14	15

R32 REFRIGERANT RECOVERY UNIT

RR24M 冷媒回收机



DC Brushless Motor

RR24M 冷媒回收机

- 体积小，重量轻
- 直流无刷电机
- 无油双缸压缩机
- 高精度数字压力传感器
- 数显大屏
- 可用于R32冷媒
- 自清功能
- Small in size and lightweight
- Brushless DC motor
- Oil-free double-cylinder compressor
- High-precision digital pressure sensor
- Digital display screen
- Can be used for R32 refrigerant
- Self-cleaning function

◆ 冷媒回收机 | Refrigerant Recovery Unit 技术参数/Technical Parameter

型号 Model	RR24M		
适用冷媒 Applicable refrigerant	III类: R12、R134a、R406A、R500、R1234yf IV类: R22、R401A、R401B、R402B、R407C、R407D、R408A、R409A、R502、R509 V类: R402A、R404A、R407A、R407B、R410A、R507、R32		
电源 power supply	110V/220v,50/60Hz		
最大电流 Max.Current(A)	6		
电机 Motor Power(HP)	无刷直流电机 1HP Brushless DC Motor 1 HP		
转速 Speed(RPM)	3000		
压缩机 Compression Engine	无油、风冷、活塞式 Oil-free lubrication, air cooling, piston type		
高压保护 (额定值) (bar) High Voltage Protection(Rated Value)	38.5		
工作温度 Operating Temperature	0~40		
制冷制 refrigerants	R134a	R22	R410A
液态 Liquid(Kg/min)	3.36	4.0	4.2
维拉模式 Push/Pull (Kg/min)	7.5	8.5	9.5
外形尺寸 Dimensions(mm)	365×250×300		
重量 Weight(Kg)	10.75		

更快的回收速度

- 更快的回收速度
- 微通道冷凝器，具有更好的冷却性能
- 无油压缩机，适用于各种冷媒
- 自清功能，防止不同冷媒混合
- 大屏背光数显，更好的可能性

Light-Fast

- Faster recycling speed
- Microchannel condenser, featuring superior cooling performance
- Oil-free compressor, suitable for various refrigerants
- Self-cleaning function to prevent mixing of different refrigerants
- Large-screen backlight digital display, offering better possibilities

REFRIGERANT RECOVERY RECLAIM CYLINDER

冷媒回收瓶系列

特征 Features

- 本钢瓶是用来重复充装制冷剂的焊接钢瓶，其广泛用于制冷、空调设备中。
- 由于产品盛装的介质在常温下具有较高的压力，且对环境变化敏感，故使用温度严格限制在-20~55°C之内。
- 钢瓶内的制冷剂在常温状态下为气、液两相共存，在需要液相制冷剂时将钢瓶倒置，连接好外部管线再打开瓶阀放料，使用完毕关闭阀门。
- 严格控制使用及贮存环境温度(-40~60°C)，不得超越，禁止太阳晒及靠近热源。
- This cylinder is a welded cylinder designed for repeated refilling of refrigerant and is widely used in refrigeration and air conditioning equipment.
- Due to the medium contained in the product having a high pressure at room temperature and being sensitive to environmental changes, the usage temperature is strictly limited to -20~55°C.
- The refrigerant inside the cylinder coexists in both gas and liquid phases at room temperature. When liquid refrigerant is needed, the cylinder should be inverted, the external pipelines connected, and then the cylinder valve opened to release the material. After use, the valve should be closed.
- Strictly control the usage and storage environment temperature (between -40°C and 60°C), do not exceed this range, and prohibit exposure to direct sunlight or proximity to heat sources.



型号 (Model)	外形尺寸 (mm) (Shape size)	筒体高度 (mm) (Cylinder height)	总高度 (mm) (General height)	颜色 (Color)	阀门螺纹 (Valve Thread)	容量 (L) (Capacity)	灌装 (Pour into)
13.6kg 冷媒回收 13.6kg Refrigerant Recycling	φ250	296	420	灰色 Grey	Z3/4-18	13.6	F12, F22
22.7kg 冷媒回收 22.7kg Refrigerant Recycling	φ280	330	460	灰色 Grey	Z3/4-18	22.7	F12, F22
40kg 冷媒回收 40kg Refrigerant Recycling	φ350	450	650	灰色 Grey	Z3/4-18	40	F12, F22
50kg 冷媒回收 50kg Refrigerant Recycling	φ350	610	740	灰色 Grey	Z3/4-18	50	F12, F22
100kg 冷媒回收 100kg Refrigerant Recycling	φ350	890	1050	灰色 Grey	Z3/4-18	100	F12, F22

VACUUM DEFOAMING BUCKET

真空消泡桶



Vacuum Gauge with a Range of -30 to 0 inHg



技术参数 Technical Parameters

- 提供多种规格与尺寸可选
- 采用高透聚碳酸酯材质制成 15mm 厚的盖板
- 1mm 厚的桶身可在高真空环境下保持形状不变
- Multiple specifications and sizes are available.
- 15mm-thick cover made of high-transparency polycarbonate material
- 1mm-thick barrel body maintains its shape under extreme vacuum conditions

模型 Model	VC-1.5	VC-2	VC-3	VC-5	VC-7
容量 Capacity	1.5Gal/6L	2Gal/9L	3Gal/12L	5Gal/18L	7Gal/27L
接口 Interface	1/4G	1/4G	1/4G	1/4G	1/4G
重量 Weight	3.2KG	3.4KG	3.75KG	5KG	5.5KG
直径 Diameter	240mm	240mm	240mm	300mm	300mm
总高度 Total height	300mm	350mm	420mm	450mm	540mm
最大真空度 Maximum vacuum	1.5Gal/6L	2Gal/9L	3Gal/12L	5Gal/18L	7Gal/27L

VACUUM PUMP OIL

真空泵油

不同的真空泵油对泵的冷态启动和极限真空有明显的影响。建议使用本公司的真空泵专用油。

The below types of vacuum oil can be used for vacuum pumps. It is recommended to use genuine oil provided by our company.

◆ 真空泵油 | Vacuum Pump Oil

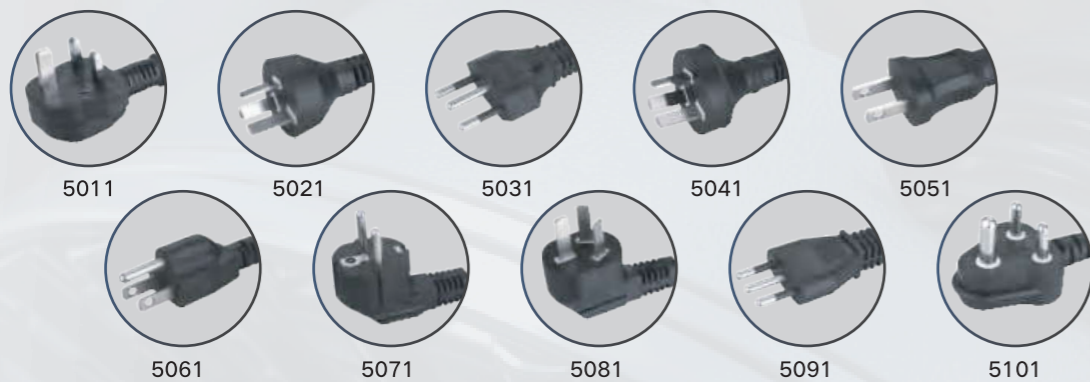
技术参数/Technical Parameter

型号 Type	46	68
运动粘度 Kinematic Viscosity	41.4-50.6	61.2-74.8
粘度指数 Viscosity Index	110	130
闪点 Flash Point (°C)	215	250
倾点 Pour Point (°C)	-9	-35



AC POWER SUPPLY PLUGS

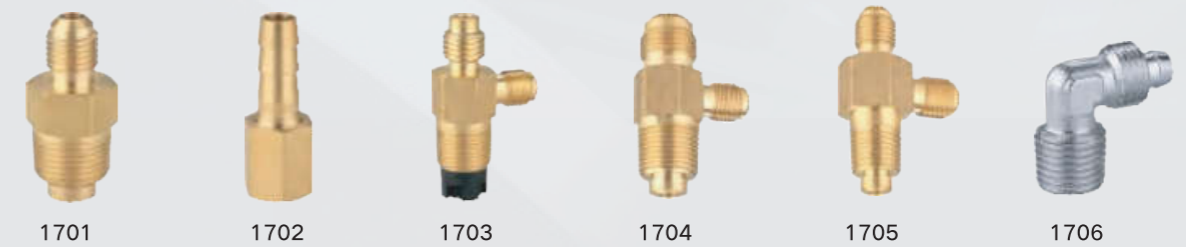
电源插头



Item 型号	Description	Item 型号	Description	Item 型号	Description
5011	UK plug	5021	Argentina plug	5031	Brazilian plug
5041	Australian plug	5051	Japanese plug	5061	American plug
5071	Europlug	5081	China plug	5091	Italian plug
				5101	South African plug

INTAKE PORTS ADAPTERS

进气道适配器



Item 型号	Description	Item 型号	Description	Item 型号	Description
1701	1/4" SAE	1702	φ6 Barb Connector	1703	1/4" SAE 1/2" Acme
1704	1/4" SAE 3/8" SAE	1705	1/4" SAE 1/4" SAE	1706	1/4" Elbow (Locked with M12x1 Nut)

OPTIONAL ACCESSORIES

可选配件



Item 型号	Description	Item 型号	Description	Item 型号	Description
1751	Solenoid Valve	1753	Blank-off Valve	1762	Vacuum Gauge
1752	Solenoid Valve	1761	Vacuum Gauge		

DIGITAL ELECTRONIC SCALE

数字式电子秤

◆ 数字式电子秤 | Digital electronic scale

技术参数/Technical Parameter

型号 Type	RES-100
最大量程 Capacity	100 Kg
精度 Accuracy	+/- 0.5% of reading
秤台尺寸 Platform Size	23 X 23 cm
重量 Weight	3.3 Kg / 3.6 Kg
电源 Power	1 pcs of 9V batteries included (60 hours)
读数 Readout	Imperial / Metric
工作温度 Operating Temperature	32°F to 122°F (0~50°C)
自动关闭 Auto off	10 min



RES-50/100

模型 Model	RCS-220V
最大容量 Max capacity	100kg / 220lb
分辨率 Resolution	5g / 0.2oz
准确性 Accuracy	±0.05% rdg +10g
电源供应 Power supply	6LR61 9V
工作温度 Operating temperature	-10°C~40°C / 14°F~104°F
存储温度 Storage temperature	-15°C~50°C / 5°F~122°F
总体尺寸 Overall size	227x227x70 mm/8.9x2.8x2.8 inch



RCS-220V

1. 大尺寸数字液晶显示屏，读数清晰便捷
2. 高精度，分辨率可达 5 克
3. 三种显示模式：千克 (kg)、盎司 (oz)、磅 (lbs)
4. 自动关机：闲置 10 分钟后自动关机；背光灯在闲置 3 分钟后自动熄灭
5. 自动报警：当重量超出指定范围时，屏幕显示“FULL”
6. 带定量归档功能的 REC 记录模式

1. Large digital LCD display for easy and clear reading
2. High accuracy and resolution up to 5 grams
3. Three display modes: kg, oz and lbs
4. AUTO-SHUT OFF: Automatically shuts off after 10 minutes of non-use; Backlight will shut off after 3 minutes of non-use
5. Automatic alarm: "FULL" display when the weight exceeds the specified range
6. REC model with quantitative filing function

RCS-320V PROGRAMMABLE ELECTRONIC REFRIGERANT SCALE



参数表 Parameter Table

项目编号 Item No.	RCS-320V
最大容量 Max capacity	100kg/220lb
决心 Resolution	5g
准确度 Accuracy	±0.05%rdg+5g
电源 Power supply	6×AAA batteries
工作温度 Operating temperature	-10°C~40°C
储存温度 Storage temperature	-15°C~50°C
整体尺寸 Overall size	270×270×70mm/10.62×2.75inch
重量 Weight	3.5kg/7.7lb

1. 配备全数字键盘，操作快捷
2. 充注 / 回收报警功能，达到预警值时触发提醒
3. 内置电磁阀，全自动控制，充注 / 回收更精准
4. 阀门采用背钩式设计，使用更便捷
5. 阀门可独立开关，用于排气

1. Full numeric keypad for fast operation.
2. Charge/Recover alarm, when the warning value is reached.
3. Equipped with solenoid valve, fully automatic control, more precise charging/recovering.
4. Valve with back hook design, easy to use.
5. The valve can be independently opened or closed to discharge air.

HALOGEN LEAK DETECTOR

卤素检漏仪

WJL-6000

外形尺寸：151*35*35mm
探杆长度：20cm

Overall size: 151*35*35mm
Probing rod length: 20cm

技术参数：

- 极限灵敏度：6g/yr
- 响应时间：瞬时
- 复位时间：2~10s
- 预热时间：约10s
- 电源：4节7号电池(6VDC)
- 操作温度：0°C ~52°C；
- 检测模式：连续、无限制
- 符合 RoHS 标准
- 符合 SAE_ J1627、En14624 标准

Technical Parameters:

- Ultimate sensibility: 6g/yr
- Response time: instant
- Reset time: 2~10s
- Warm-up time: about 10s
- Power supply: 4 AAA batteries (6 VDC)
- Operating temperature: 0°C ~52°C；
- Detection mode: continuous, unlimited
- Conform to ROHS standard
- Conform to SAE_ J1627 and EN14624 standards



HLD-100+

外形尺寸：229*65*65mm
探杆长度：35.5cm

Overall size: 229*65*65mm
Probing rod length: 35.5cm

技术参数：

- 极限灵敏度：3g/yr
- 响应时间：瞬时
- 复位时间：2s
- 预热时间：约10s
- 电源：3伏直流，2节二号优质电池
- 操作温度：0°C ~52°C；
- 检测模式：连续、无限制
- 符合 RoHS 标准
- 符合 SAE_ J1627、En14624 标准

Technical Parameters:

- Ultimate sensibility: 3g/yr
- Response time: instant
- Reset time: 2s
- Warm-up time: about 10s
- Power supply: 2"C" batteries (3 VDC)
- Operating temperature: 0°C ~52°C；
- Detection mode: continuous, unlimited
- Conform to ROHS standard
- Conform to SAE_ J1627 and EN14624 standards



项目编号 Item No.	RLD-100
传感器寿命 Sensor lifetime	5 year
敏感度范围 Sensitivity range	3 levels:High,Medium,Low
最大灵敏度 Maximum sensitivity	3g/yr
重置时间 Reset time	< 3s
预热时间 Warm-up time	30s
恢复时间 Recovery time	< 10s
制冷剂 Refrigerants	CFCs/HCFCs/HFCs/HFOs
电源 Power supply	4xAA alkaline battery
电池续航 Battery life	Continuous use 5-6 hours
审批 Approvals	Compliant to Standard: SAE-J1627, EN 14624, CE
整体尺寸 Overall size	10*2*2.3 inch
探针杆长度 Probing rod length	16.4 inch



RLD-100

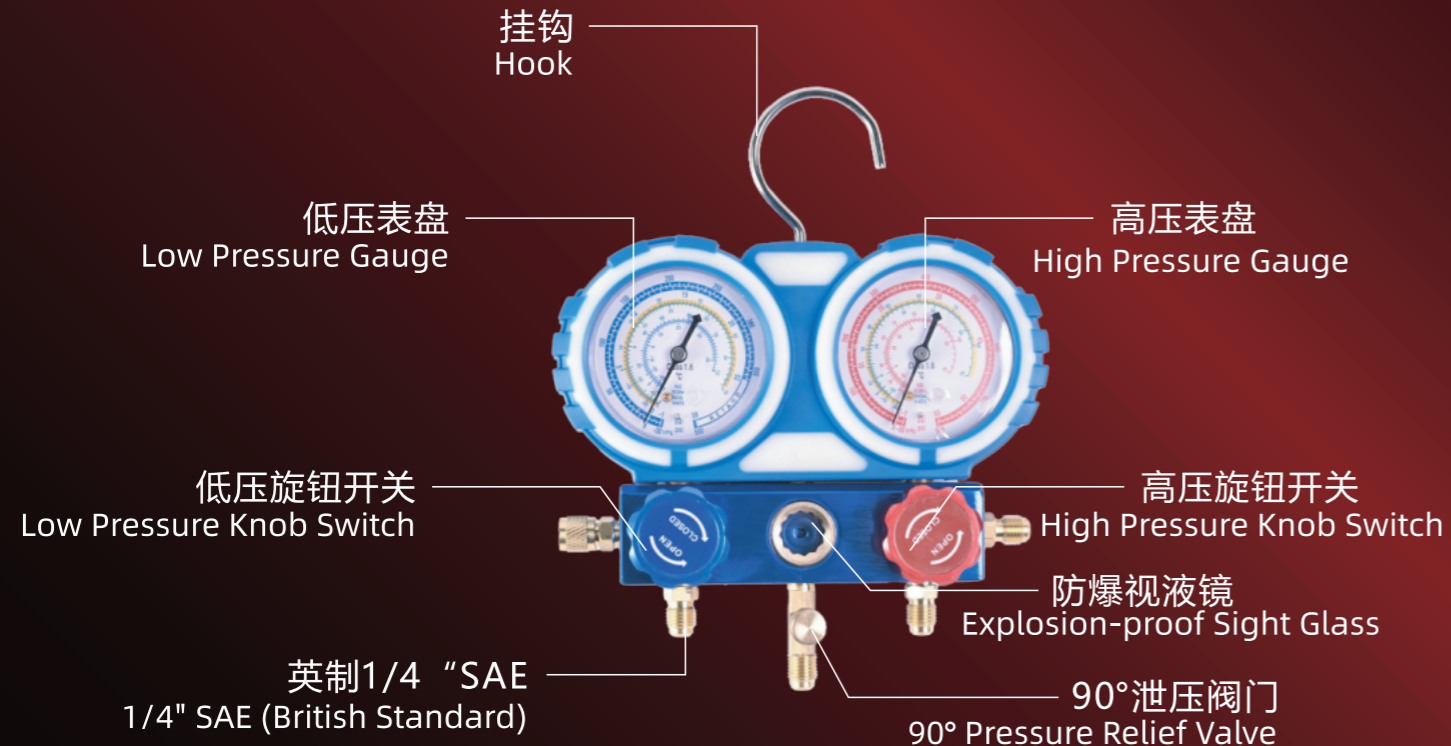
IRD-200
CFCs, HFCs, HCFCs, HFOs
10 years
3g/yr
Audible, visual alarm and flashing probe LED
< 15
30S
10 minutes of inactivity
2*18650 Lithium battery
-10°C~50°C
210*60*36mm
420mm



IRD-200

Flaring Tool & Manifold Kit

扩管工具与压力表套装



特点:

- 1、高强度橡塑表套，充分防撞
- 2、双表采用高精度机芯
- 3、阀门采用铝合金嵌件设计，增加强度
- 4、配置快速接头，适用于汽车空调

Features:

1. Anti-shock design with durable rubber coating
2. Calibration screws high accuracy of reading
3. 1/4" SAE fittings anodized aluminum block body with high strength
4. Quick couplers included for auto A/C maintenance

HIGH STRENGTH REFRIGERANT HOSE

高性能加液管

技术参数/Technical Parameter

型号 Type	R410A, R32	R134A, R22, R404A, R407C	
红 Red	1/4"-5/16"	1/4"-1/4"	1/4"-1/4"
黄 Yellow	1/4"-1/4"	1/4"-1/4"	1/4"-1/4"
蓝 Blue	1/4"-5/16"	1/4"-1/4"	1/4"-1/4"
压力 Pressure Scale	800-4000 psi	600-3000 psi	500-2500 psi
长度 Length	90 cm	120 cm	150 cm



TRANSITION ADAPTER

转换接头

YY-1101

外螺纹 1/4" SAE 转内螺纹 5/16" SAE
Male thread 1/4" SAE to female thread 5/16" SAE

YY-1102

外螺纹 5/16" SAE 转内螺纹 1/4" SAE
Male thread 5/16" SAE to female thread 1/4" SAE

YY-1103

外螺纹 1/4" SAE 转内螺纹 1/2" ACME
Male thread 1/4" SAE to female thread 1/2" ACME

YY-1104

外螺纹 1/2" ACME 转内螺纹 1/4" SAE
Male thread 1/2" ACME to female thread 1/4" SAE



QUICK COUPLER

快速接头





MG-10

◆ 参数表 | Parameter Table

项目编号 Item No.	MG-10
测量范围 Measurement range	-14.5~800psi
压力显示分辨率 Pressure display resolution	0.5psi
压力测量精度 Pressure measurement accuracy	±0.5%FS
压力单位 Pressure Unit	psi、bar、kg/cm、inHg、kPa、MPa
操作温度和湿度 Operating temperature and humidity	-10~50°C; 35%-85% RH
电池 Battery	3# AAA
制冷剂 Refrigerant	88 types

- 紧凑设计：小巧便携，易于随身携带。
- 功能完全替代机械式压力表：完全替代机械式双表的所有功能，并额外提供泄漏检测和真空测量功能。
- 更高精度：先进的陶瓷传感器和数字化技术使MG-10在测量精度方面轻松超越传统机械量规。
- 坚固且防摔：即使在使用过程中仪器意外跌落，也不会对测量精度或正常功能产生丝毫影响。
- 2倍过压范围：可承受超过额定压力范围2倍的压力而不损坏传感器，无需担心“撞针”问题。
- Compact design: Mini portable, easy to carry around.
- Functions completely replace mechanical gauge: Completely replaces all functions of a mechanical dual gauge and additionally provides leakage test and vacuum measurement functions.
- Higher precision: Advanced ceramic sensors and digitizing technology allow the MG-10 to easily outperform traditional mechanical gauges in terms of measurement accuracy.
- Sturdy and drop-proof: Accidental dropping of the instrument during use will not affect the measurement accuracy or normal function at all.
- 2 times over-pressure range: Can withstand more than 2 times the rated range of pressure without damage to the sensor, do not have to worry about "hit the needle" problem.

RVG-10



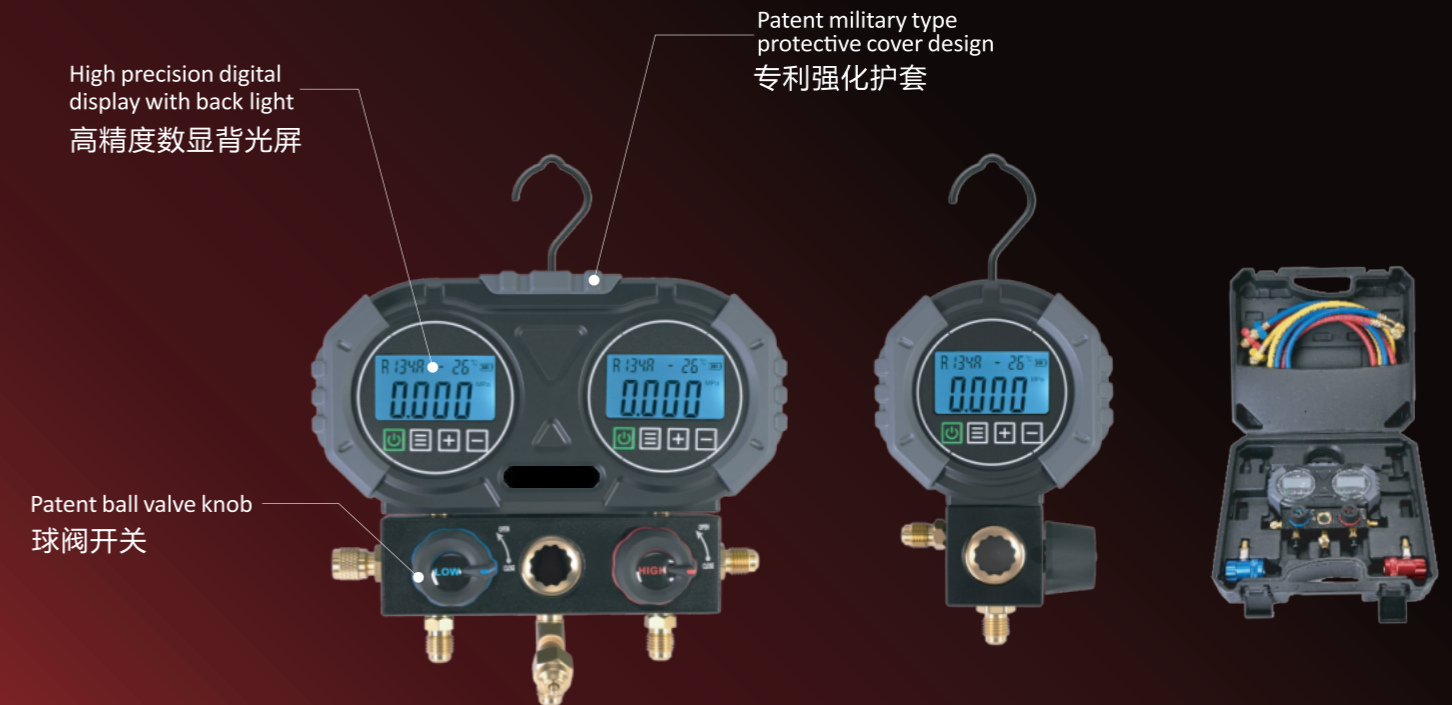
◆ 参数表 | Parameter Table

项目编号 Item No.	RVG-10
压力范围 Pressure Range	-14.5~800psi
准确性 Accuracy	±0.5%FS
分辨率 Resolution	0.5psi
压力单位 Pressure Unit	kPa、MPa、psi、inHg、bar、kg/cm
温度范围 Temperature range	-50°C~150°C / -58°F~302°F
温度显示分辨率 Temperature display resolution	0.1°C/0.2°F
温度测量精度 Temperature measurement accuracy	±0.5°C/±0.9°F
温度单位 Temperature Unit	°C、°F
工作温度 Operating Temperature	-10°C~50°C
电池 Battery	2# AAA
制冷剂 Refrigerant	88 types

- 兼容高压和低压测量：高压模式：测量冷凝温度和过冷度。低压模式：测量蒸发温度和过热度。
- 防水：该仪器具有IP65级低压水喷射防护能力。注意：不可直接浸入水中
- 球阀：球阀具有较短的开启和关闭时间，能够精确控制充装量。
- 丰富的测量功能：五种测量功能：压力测量、泄漏测试、温度测量、交流心电图（AC ECG）、抽真空测量。
- 排气阀：压力排气简化了排气过程，提高了便利性和安全性
- COMPATIBLE WITH HIGH AND LOW PRESSURE MEASUREMENTS: High pressure mode: Measure condensation temperature and Subcooling.Low pressure mode: Measure evaporation temperature and Superheat.
- WATERPROOF: The instrument is protected to IP65 against low-pressure water jets.Note: Cannot be immersed directly in water
- BALL VALVE: The ball valve has a short opening and closing time and allows for precise control of the charge volume.
- RICH MEASUREMENT FUNCTIONS: Five Measurement Functions: Pressure Measurement、Leak Test、Temperature Measurement、AC ECG、Evacuation Measurement.
- EXHAUST VALVE: Pressure venting simplifies venting for greater convenience and safety

A/C DIGITAL MANIFOLD GAUGE

空调数字式歧管压力表



Refrigerant 适用冷媒	Build-in 120 kinds of refrigerant database basis NIST
Pressure measuring range 压力测量范围	-15 to 870 psi / -1 to 60 bar
Pressure units 压力单位	psi, kg/cm ² , bar, Kpa, Mpa, inHg
Temperature units 温度单位	°F / °C
Power supply 电源	6 x AA battery, 1.5V

Refrigerant 适用冷媒	R134A, R1234YF, R22, R290, R32, R404A, R407C, R410A, R452B, R454B, R502, R507R600, R600A, R12, R125, R141B, R401A, R401B
Pressure Units 压力单位	psi, kgf/cm ² , bar, Kpa, Mpa, inHg
Temperature Units 温度单位	°F / °C
Power supply 电源	1pc * 9V batteries of both side (total 2pcs)

- 特点:**
1. 耐用 TPE+PA 保护盖设计
 2. 柔性防滑硅胶设计, 握持舒适
 3. 高精度数据, 稳定且准确
 4. 大尺寸彩色屏幕带图形显示, 便于测量结果的评估

- Features:**
1. Durable TPE + PA Protective Cover design
 2. Flexible non-slip silicone design, comfortable to hold
 3. High-Precision data, stable and accurate
 4. Large Color screen with graphic display, for easy evaluation of the measurement results

- 特点:**
1. 数字屏幕, 易于阅读, 支持多种单位
 2. 适配 1/4 英寸 SAE 公头接口
 3. 刷新率: 1 秒
 4. 专利球阀旋钮

- Features:**
1. Digital Screen easy to read Support Various Units
 2. Fitting 1/4" SAE male
 3. Refresh Rate: 1 second
 4. Patent ball valve knob

A/C MANIFOLD GAUGE AND SET

空调歧管压力表和套装



BALL VALVE TYPE
E-311 球阀式



PISTON TYPE
M-311 旋钮式

模型 MODEL	球阀类型 BALL VALVE TYPE	活塞类型 PISTON TYPE
制冷剂 REFRIGERANT	R32、R410A、R134A、R1234yf	R134A、R1234yf
量规直径 Gauge Diameter	70mm	70mm
量规等级 Gauge Class	Class1.0	Class1.6
压力单位 Pressure units	psi, bar	psi, bar
适配选择 Fitting Selection	1/4SAE ,5/16SAE ,1/2 ACMME	1/4SAE ,5/16SAE ,1/2 ACMME

- 特点:**
- 1、高强度橡塑表套，充分防撞
 - 2、双表采用高精度机芯
 - 3、阀门采用铝合金嵌件设计，增加强度
 - 4、配置快速接头，适用于汽车空调

- Features:**
1. Anti-shock design with durable rubber coating
 2. Calibration screws high accuracy of reading
 3. 1/4" SAE fittings anodized aluminum block body with high strength
 4. Quick couplers included for auto A/C maintenance



MG-B301-01



MG-A301-01



MG-S301-01



MG-B302-01



MG-A302-01



MG-S401-01

模型 Model	制冷剂 Refrigerant	量规直径 Gauge Diameter	软管 Hose	奎克耦合器 Quick Coupler	点击 Can tap	其他 Other
MG-B301-01	R12 R22 R134 R502	70mm	60" 600-3000psi	QC-16B	CT-342/343	Adapter*1
MG-B302-01	R12 R22 R134 R502	70mm	60" 600-3000psi	QC-17	CT-342/343	Adapter*1
MG-A301-01	R134a	70mm	60" 600-3000psi	QC-17	CT-339J	/
MG-A302-01	R1234yf	80mm	60" 800-4000psi	QC-19	/	/
MG-S301-01	R22 R134 R32 R410	70mm	60" 600-3000psi	QC-17	CT-340J	Adapter*1
MG-S401-01	R22 R134 R32 R410	70mm	60" 800-4000psi	QC-17/QC-20	CT-343J/CT-345J	Adapter*3

DIGITAL VACUUM GAUGE

数字式真空计

High precision digital display with back light
高精度数显背光屏



Patent military type protective cover design
专利强化护套

1/4"SAE
英制1/4接头

模型 Model	最大过载压力 Maximum Overload Pressure	单元 Unit	范围 Range	准确性 Accuracy
VG-100	14 PSI/0.1 Mpa	pa、mbar、mmhg、microns	0~10000 Pa, 0~100.00mBar 0~75.000 mmHg, 0~75000 Micron	2-100Pa:±5%of reading (at 20°C°C)

特点:

- 1.适用于高精度真空度测量
2. 高清背光数字显示屏
3. 蜂鸣警告声音提示
4. 四种真空单位选项

Features:

- 1.Suitable for High-Precision Vacuum Level Measurement
- 2.High-Definition Backlit Digital Display
- 3.Beep Warning Sound Prompt
- 4.Four Vacuum Unit Options

BALL VALVE

手动截止阀



特点:

- 1.用于充注制冷剂后防止泄漏的充电软管。
2. 1/4 英寸、5/16 英寸、M12-1.5、M12-1.5L、1/2 ACME或3/8 英寸，或其他螺纹尺寸可根据ISO 标准定制，UNC/UNF/NPT 也可定制。

Features:

- 1.For Charging hose to prevent leakage after charging with refrigerant.
- 2.1/4",5/16",M12-1.5, M12-1.5L, 1/2 ACME or 3/8" or some other thread sizes basis ISO, UNC/UNF/NPT can be customized

RAPID-Y CONNECTION 3/8" FL

Y字接头 英制3/8"螺纹



- 1/4" 3/8" 1/2" or some other thread sizes can be customized
- 1/4" 3/8" 1/2" 等螺纹可按要求定制

VACUUM HOSE

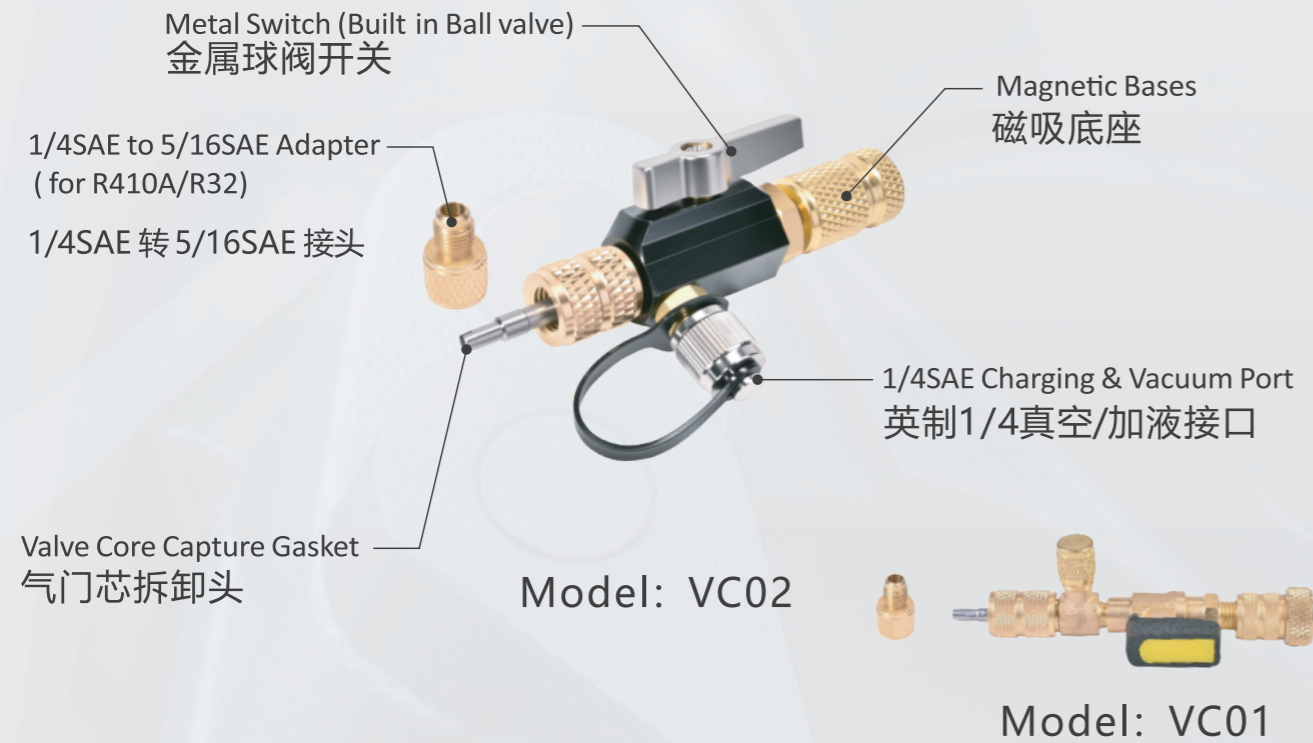
真空软管



- 1/4" 3/8" 1/2" or some other thread sizes can be customized
- 1/4" 3/8" 1/2" 等螺纹可按要求定制

VALVE CORE REMOVER

气门芯拆卸工具



特点:

- 1.广泛兼容性: 包含 R410A 黄铜适配器; 兼容多种制冷剂, 如 R22、R12、R410A、R32、R404、R407 和 R507。
- 2.适用于制冷剂充注、抽真空和阀芯更换
- 3.磁性底座——再也不用担心杆子丢失

Features:

- 1.Wide Compatibility : Includes R410A brass adapter; compatible with multiple refrigerants such as R22 R12 R410A R32 R404 R407 and R507
- 2.Suitable for refrigerant charging vacuuming and valve core replacement
- 3.Magnetic bases – Never lose stem again

PORTABLE TOOL KIT

便携式套装

便携式套装|Portable Tool Kit

技术参数/Technical Parameter

No.	Description	Item No.	Quantity (PC)
01	Vacuum Pump 真空泵	SVP-115	1
02	Flaring Tool 扩管器	FT-808	1
03	Tube Cutter 割刀	TC-28	1
04	Deburrer 毛刺刀	CT-210	1
05	Manifold Gauge 双表组	MG-2-R410	1
06	Tube Expander 胀管器	ST-22	1
07	Charging Hose 管子	CT-3-60"	1
08	Aluminum Case 铝箱		1

FT-8A

特点:

- 铝制箱子设计, 方便携带。
- 铝制箱子在运输过程中更好地保护工具。

Features:

- All tools in one toolbox, easy to carry
- Robust aluminum case to protect the tools during transportation



AUTO CUT TUBE CUTTER

圆形管子割刀



型号 Item NO.	品名 Name	规格 (mm) Spec.	材质 Material	装箱数 (Pcs) Qty/Case	毛净重 (Kg) G.W/N.W	纸箱尺寸 (cm) Carton Size
CT-319	轴承式割刀 Bearing-type tube cutter	1/8" ~3/4(3~19mm)	锌合金 Zine alloy body	50	8/7	33×23×21
CT-428	轴承式割刀 Bearing-type tube cutter	3/16" ~1-1/8(4~28mm)	铝合金 Aluminum alloy body	50	11/10	36×29×22

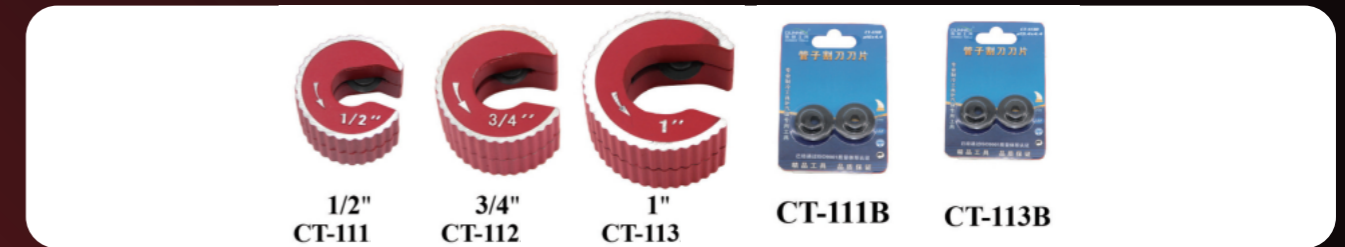


CT-319B	割刀刀片 Tube Cutter Blade	Φ18.2x4(For CT-319)	合金钢刀片 Alloy Steel Blade	100	2.5/1.5	32×24×22
CT-428B	割刀刀片 Tube Cutter Blade	Φ25x8(For CT-428)	合金钢刀片 Alloy Steel Blade	100	4.5/3.5	32×24×22
CT-532B	割刀刀片 Tube Cutter Blade	Φ30x10(For CT-532/650/670)	合金钢刀片 Alloy Steel Blade	100	6.5/5.5	32×24×22
CT-532	轴承式割刀 Bearing type tube cutter	3/16"~1-1/4"(4~32mm)	铝合金 Aluminum alloy body	50	19.5/18.5	58×23×42
CT-650	轴承式割刀 Bearing type tube cutter	1/4"~2"(5~50mm)	铝合金 Aluminum alloy body	50	27/26	63×27×43
CT-670	轴承式割刀 Bearing type tube cutter	1/4"~2-3/4"(6~70mm)	铝合金 Aluminum alloy body	20	23.5/22.5	37×32×44



- 滚珠轴承与刀片带来顺畅切割体验 Ball bearings and blades bring smooth cutting experience
- 超薄合金钢刀片，锋利耐用 Thin alloy steel blade, sharp and durable
- 弹簧结构，防止铜管变形 Spring structure, prevent copper pipe deformation
- 铝合金刀体，轻松省力 Aluminum alloy cutter body, easy and labor-saving

型号 Item NO.	品名 Name	规格 (mm) Spec.	材质 Material	装箱数 (Pcs) Qty/Case	毛净重 (Kg) G.W/N.W	纸箱尺寸(cm) Carton Size
CT-N532S	智慧型弹簧割刀 Smart Spring tube Cutter	3/16"~1-1/4"(4~32mm)	铝合金 Aluminum alloy body	50	20.7/19.7	58×23×40
CT-N650S	智慧型弹簧割刀 Smart Spring tube Cutter	1/4"~2"(5~50mm)	铝合金 Aluminum alloy body	50	26.5/25.5	63×27×40.5
CT-N670S	智慧型弹簧割刀 Smart Spring tube Cutter	1/4"~2-3/4"(6~70mm)	铝合金 Aluminum alloy body	20	20.5/19.5	37×32×44
CT-N532S-B	割刀刀片 Tube Cutter Blade	Φ25x5 (For CT-N532S/N650S/N670S)	合金钢刀片 Alloy Steel Blade	200	7/6	32×24×22



- 能在空间狭小地方操作。 can be used in poky space.
- 适合大批量同规格管子切割，不用调节，节省时间。 suitable to cut mass same size copper tube, don't need adjust.
- 可更换刀片。 can replace blade easily.

型号 Item NO.	品名 Name	规格 (mm) Spec.		
CT-111	圆形管子割刀 Tube cutter	15mm or或 1/2"		
CT-112	圆形管子割刀 Tube cutter	22mm or或 3/4"		
CT-113	圆形管子割刀 Tube cutter	28mm or或 1"		
CT-111B	管子割刀刀片 Tube cutter blade	Φ16x4.4	轴承钢刀片Bearing Steel Blade	CT-111 CT-112
CT-113B	管子割刀刀片 Tube cutter blade	Φ19.4x4.4	轴承钢刀片Bearing Steel Blade	CT-113

RATCHET TUBE CUTTER

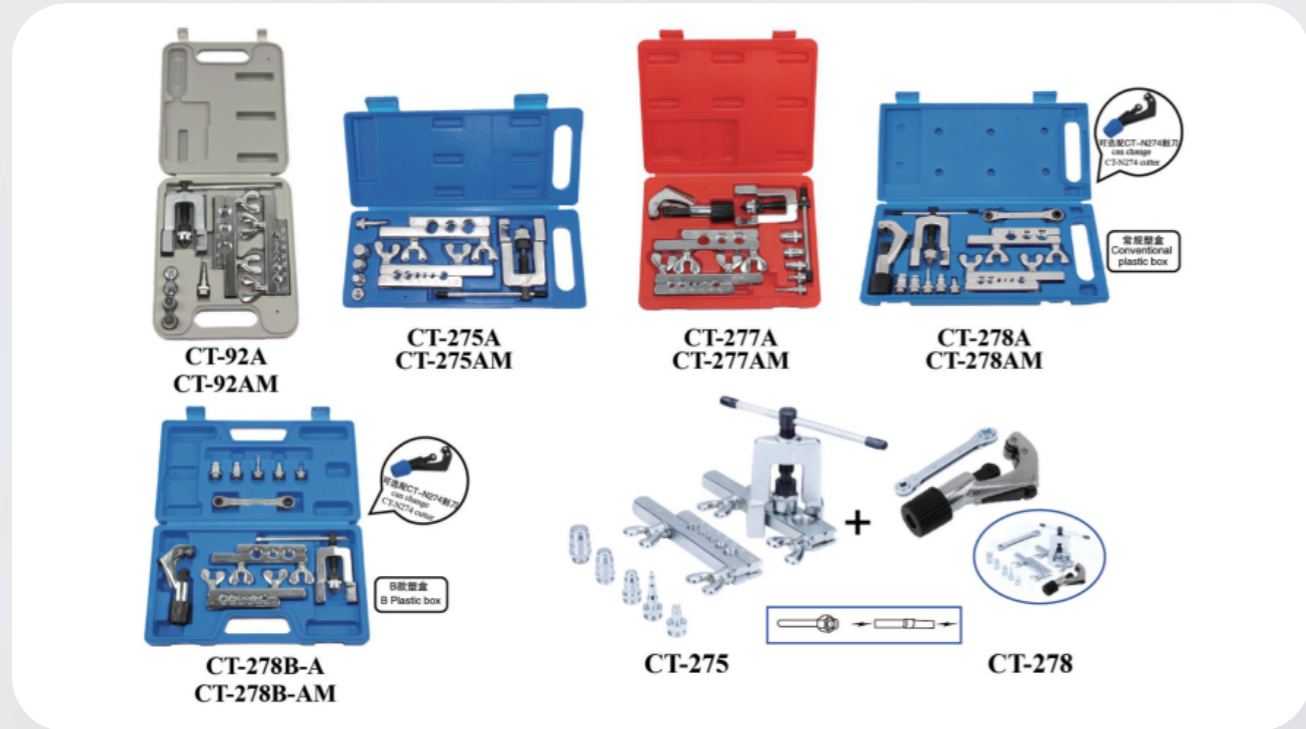
棘轮管子割刀



型号 Item NO.	品名 Name	规格 (mm) Spec.	材质 Material	装箱数 (Pcs) Qty/Case	毛净重 (Kg) G.W/N.W	纸箱尺寸(cm) Carton Size
CT-114	棘轮管子割刀 Ratchet tube cutter	6-23mm	锌合金 Zinc alloy body	50	17/16	68×29×43
CT-115	棘轮管子割刀 Ratchet tube cutter	8-29mm	锌合金 Zinc alloy body	50	17/16	37×35×424
CT-116	棘轮管子割刀 Ratchet tube cutter	10-42mm	锌合金 Zinc alloy body	50	17/16	37×35×24

FLARING TOOL

扩管器



- (CT-277, CT-278, CT-278AM 套装内默认配CT-274割刀, 可选配CT-N274割刀, 订货时说明)
- (The CT-277, CT-278, and CT-278AM sets come with the CT-274 cutting knife by default, and the CT-N274 cutting knife can be optionally added. Please specify when ordering)

型号 Item NO.	品名 Name	规格 (mm) Spec.	装箱数 (Pcs) Qty/Case	毛净重 (Kg) G.W./N.W	纸箱尺寸(cm) Carton Size
CT-92A CT-92AM	胀管扩管器 公英制胀管扩管器	同CT-275A 同CT-275AM	10	23.5/22.5	44x27x23.5
CT-275A	胀管扩管器	扩管规格: 1/2", 5/8", 3/4", 1/8", 3/16", 1/4", 5/16", 3/8", 7/16"	10	22/21	35x30x25
CT-275AM	胀管扩管器 公英制胀管扩管器	扩管规格: (3/16", 1/4", 3/8"); 5/16", 1/2", 5/8", 3/4" 扩管规格: 10, 1/2", 16(5/8"), 19(3/4"); 3(1/8"), 5(3/16"), 6(1/4"), 8(5/16"), 3/8", 12, 胀管规格: (3/16", 1/4", 3/8"); 5/16", 1/2", 5/8", 3/4"	10	22/21	35x30x25
CT-277A CT-277AM	胀管扩管器 公英制胀管扩管器	CT-275A+CT-274 CT-275AM+CT-274	10	20.5/19.5	43x26x25
CT-278A CT-278AM	胀管扩管器 公英制胀管扩管器	CT-275A+CT-274+ CT-122 CT-275AM+CT-274 +CT-122	10	27/26	40x39x27
CT-278B-A CT-278B-AM	胀管扩管器 公英制胀管扩管器	CT-275A+CT-274+ CT-122 CT-275AM+CT-274 +CT-122	10	27/26	40x39x27



型号 Item NO.	品名 Name	规格 (mm) Spec.	装箱数 (Pcs) Qty/Case	毛净重 (Kg) G.W./N.W	纸箱尺寸(cm) Carton Size
CT-505	Grabber Flaring Tool 活块扩管器	3/16", 1/4", 5/16", 3/8", 1/2", 5/8" & 3/4"	20	23/22	31.5x22.5x32
CT-525	Grabber Flaring Tool 万能扩管器	3/16"~5/8"(5~16mm)	20	16.5/15.5	33x24x16
CT-526	Gabber Flaring Tool 万能扩管器	3/16"~3/4"(5~19mm)	20	22/21	27x20x28.5



TUBE REPAIR PLIER

管子修复钳



专利产品:

PATENT NO:

- 用于1/4", 3/8", 1/2", 5/8", 3/4", 7/8"
- 轻松修复压扁的管路。
- Use for 1/4", 3/8", 1/2", 5/8", 3/4", 7/8"
- Easily repair flattened pipes.

型号 Item NO.	品名 Name	规格 (mm) Spec.	装箱数 (Pcs) Qty/Case	毛净重 (Kg) G.W/N.W	纸箱尺寸(cm) Carton Size
CT-301	Repair Plier 管子修复钳	1/4", 3/8", 1/2", 5/8", 3/4", 7/8"	20	10.5/9.5	37×28×23

TUBE STRAIGHTENING TOOL

管子调直器



双泡包装

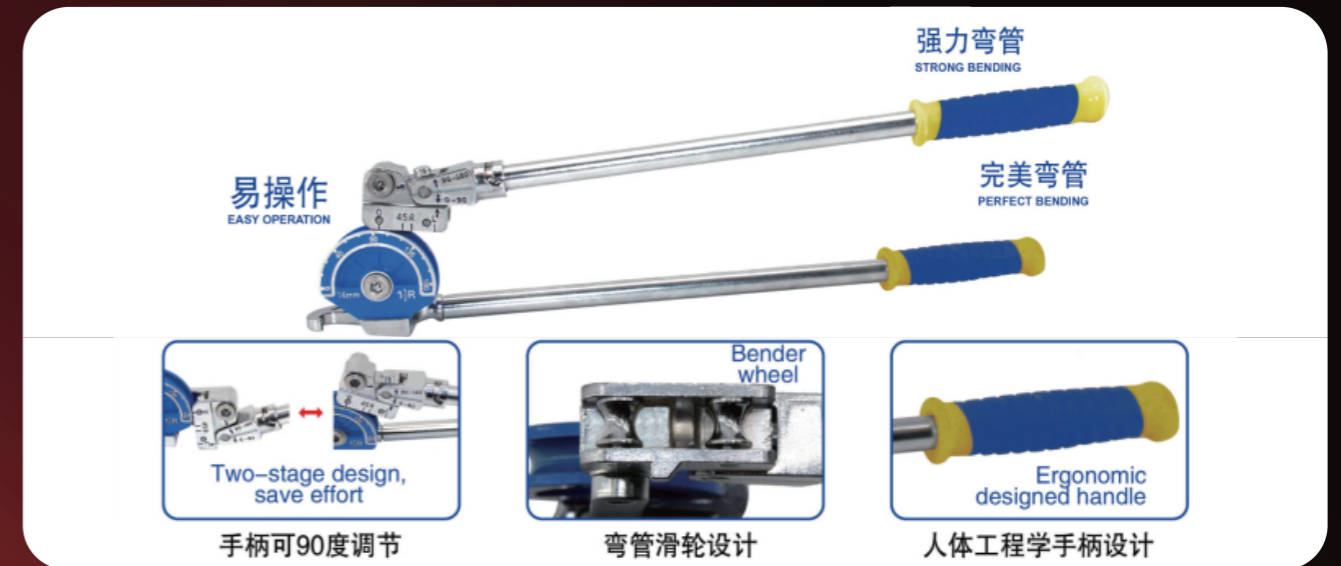
彩盒包装

CT-302

型号 Item NO.	品名 Name	规格 (mm) Spec.	装箱数 (Pcs) Qty/Case	纸箱尺寸(cm) Carton Size	型号 Item NO.	品名 Name	规格 (mm) Spec.	装箱数 (Pcs) Qty/Case	纸箱尺寸(cm) Carton Size
CT-302-02	管子调直器 Tube straightening tool	1/8" (3mm)	20	38×22×43	CT-302-06A	管子调直器 Tube straightening tool	3/8"	20	38×22×43
CT-302-4mm	管子调直器 Tube straightening tool	4mm	20	38×22×43	CT-302-06M	管子调直器 Tube straightening tool	10mm	20	38×22×43
CT-302-03A	管子调直器 Tube straightening tool	3/16"	20	38×22×43	CT-302-08A	管子调直器 Tube straightening tool	1/2"	20	38×22×43
CT-302-03M	管子调直器 Tube straightening tool	5mm	20	38×22×43	CT-302-08M	管子调直器 Tube straightening tool	12mm	20	38×22×43
CT-302-04A	管子调直器 Tube straightening tool	1/4"	20	38×22×43	CT-302-09	管子调直器 Tube straightening tool	14mm	20	38×22×43
CT-302-04M	管子调直器 Tube straightening tool	6mm	20	38×22×43	CT-302-15mm	管子调直器 Tube straightening tool	15mm	20	38×22×43
CT-302-05	管子调直器 Tube straightening tool	5/16" (8mm)	20	38×22×43	CT-302-10	管子调直器 Tube straightening tool	5/8" (16mm)	20	38×22×43
CT-302-9mm	管子调直器 Tube straightening tool	9mm	20	38×22×43	CT-302-11	管子调直器 Tube straightening tool	18mm	20	38×22×43
					CT-302-12	管子调直器 Tube straightening tool	3/4" (19mm)	20	38×22×43

HEAVY-DUTY TUBE BENDER

重型弯管器



- 可弯曲铜管、铝管、铁管、不锈钢管等各种管子
- Bendable copper pipe, aluminum pipe, iron pipe, stainless steel pipe and other pipes

型号 Item NO.	品名 Name	规格 (mm) Spec.	弯曲半径(mm) Bending radius	装箱数 (Pcs) Qty/Case
CT-365-03A CT-365-03M	重型弯管器 Heavy-duty tube bender	3/16" 5mm	14	20
CT-365-04A CT-365-04M	重型弯管器 Heavy-duty tube bender	1/4" 6mm	13.8	20
CT-365-05	重型弯管器 Heavy-duty tube bender	5/16"=7.95mm (公英制通用) 8mm inch size=metric size	23.5	12
CT-365-06A CT-365-06M	重型弯管器 Heavy-duty tube bender	3/8" 10mm	23.2	12
CT-365-08A CT-365-08M	重型弯管器 Heavy-duty tube bender	1/2" 12mm	26.3	12
CT-365-09M	重型弯管器 Heavy-duty tube bender	14mm	26.6	12
CT-365-15mm	重型弯管器 Heavy-duty tube bender	15mm	53.5	8
CT-365-10	重型弯管器 Heavy-duty tube bender	5/8" =15.88mm (公英制通用) 16mm inch size=metric size	53.5	8
CT-365-11	重型弯管器 Heavy-duty tube bender	18mm	71.8	6
CT-365-12	重型弯管器 Heavy-duty tube bender	3/4" =19.05mm (公英制通用) 19mm inch size=metric size	71.8	6
CT-365-13	重型弯管器 Heavy-duty tube bender	20mm	80.8	6
CT-365-14	重型弯管器 Heavy-duty tube bender	7/8" =22.2mm (公英制通用) 22mm inch size=metric size	80.8	6

MULTI TUBE BENDER

多用弯管器



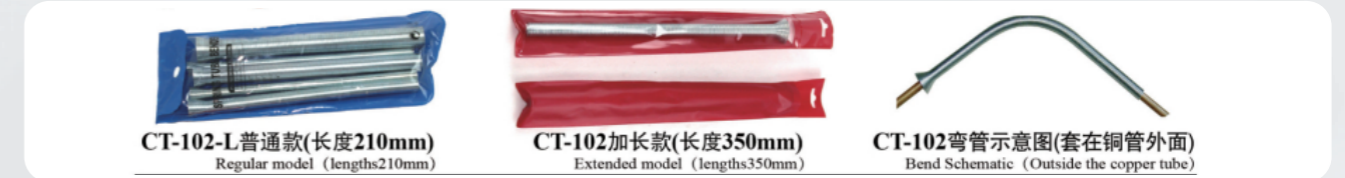
型号 Item NO.	品名 Name	规格 (mm) Spec.	描述	装箱数 (Pcs) Qty/Case	毛净重 (Kg) G.W./N.W	纸箱尺寸(cm) Carton Size
CT-268A	180° 2-in-1 TUBE BENDER 180° 2合1新型二用弯管器	1/4" & 5/16" O.D Tubing	铝合金材料 可以弯出标准而精确180°管。 可以弯薄到0.4mm的管，而不变形。 外观设计专利，采用人体工程学设计的防滑手柄，可试验铜管尺寸的孔设计	30	9.5/8.5	37x24.5x38
CT-268M		6mm & 8mm O.D Tubing				
CT-367A CT-367M	90° 3-in-1 Tube bender 90° 三槽弯管器	1/8", 3/16", 1/4" 3mm, 5mm, 6mm		50	8.5/7.5	33x32x21.5
CT-S367	90° 3-in-1 Tube bender 90° 三槽弯管器	1/8", 5/32", 3/16" 3mm, 4mm, 5mm		50	8.5/7.5	33x32x21.5
CT-368A CT-368M	90° 3-in-1 Tube bender 90° 三槽弯管器	1/4", 5/16", 3/8" 6mm, 8mm, 10mm		20	11/10	36x28x29
CT-369A CT-369M	180° 3-in-1 Tube bender 180° 三槽弯管器	1/4", 5/16", 3/8" 6mm, 8mm, 10mm		20	10/9	36x28x29



型号 Item NO.	品名 Name	规格 (mm) Spec.	描述 Description	装箱数 (Pcs) Qty/Case	毛净重 (Kg) G.W./N.W	纸箱尺寸(cm) Carton Size
CT-N369A	180° 3-in-1 TUBE BENDER 180° 3合1新型三用弯管器	1/4", 5/16" & 3/48" O.D Tubing	铝合金材料 可以弯出标准而精确180°管。 可以弯薄到0.4mm的管，而不变形。 外观设计专利，采用人体工程学设计的防滑手柄，可试验铜管尺寸的孔设计	20	11/10	36x30.5x32
CT-N369M		6mm, 8mm & 10mm O.D Tubing				
CT-369FHA 碳钢+纤维	180° 4-in-1 FIBRE TUBE BENDER 180° 4合1高强度纤维弯管器	3/16" 1/4" 5/16" & 3/8" O.D Tubing	碳钢加高强度纤维材料 3/16" 1/4" 弯管的半径为11/16" (17.5mm) 5/8"-3/8" 弯管的半径为15/16" (24.0mm) 可以弯出标准而精确180°管。 可以弯薄到0.4mm的管，而不变形。	20	11/10	44.5x32.5x29
CT-612A CT-612M	180° 3-in-1 Tube bender 180° 三槽弯管器	1/4", 3/8", 1/2" 6mm, 10mm, 12mm	可以弯出标准而精确180°。 外观设计专利，采用人体工程学设计的防滑手柄，可试验铜管尺寸的孔设计。	12	16/15	46.5x42.5x31

SPRING TUBE BENDER

弯管弹簧



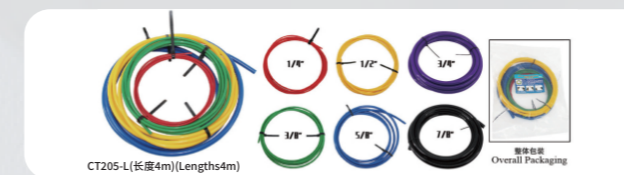
型号 Item NO.	品名 Name	规格 (mm) Spec.	装箱数 (Pcs) Qty/Case	毛净重 (Kg) G.W./N.W	纸箱尺寸(cm) Carton Size
CT-102-L	Tube bender 弯管弹簧	1/4", 5/16", 3/8", 1/2", 5/8" (长度210mm)	50	17/16	40x25x23
CT-102-03	Tube bender 弯管弹簧	3/16" (长度350mm)	100	7/6	40x23x20
CT-102-04	Tube bender 弯管弹簧	1/4" (长度350mm)	100	8/7	40x23x20
CT-102-05	Tube bender 弯管弹簧	5/16" (长度350mm)	100	12/11	40x23x23
CT-102-06	Tube bender 弯管弹簧	3/8" (长度350mm)	100	15.5/14.5	40x23x23
CT-102-08	Tube bender 弯管弹簧	1/2" (长度350mm)	75	18/17	40x23x23
CT-102-10	Tube bender 弯管弹簧	5/8" (长度350mm)	50	17/16	40x23x20
CT-102-12	Tube bender 弯管弹簧	3/4" (长度350mm)	50	20/19	40x23x23
CT-102-14	Tube bender 弯管弹簧	7/8" (长度350mm)	50	21/20	40x23x23



型号 Item NO.	品名 Name	规格 (mm) Spec.	装箱数 (Pcs) Qty/Case	毛净重 (Kg) G.W./N.W	型号 Item NO.	品名 Name	规格 (mm) Spec.	装箱数 (Pcs) Qty/Case	毛净重 (Kg) G.W./N.W
CT-202-03	Tube bender 弯管弹簧	3/16" (长度1m)	100	6/5	CT-202-08	Tube bender 弯管弹簧	1/2" (长度1m)	80	26/25
CT-202-04	Tube bender 弯管弹簧	1/4" (长度1m)	100	11/10	CT-202-10	Tube bender 弯管弹簧	5/8" (长度1m)	50	22/21
CT-202-05	Tube bender 弯管弹簧	5/16" (长度1m)	100	17/16	CT-202-12	Tube bender 弯管弹簧	3/4" (长度1m)	30	21/20
CT-202-06	Tube bender 弯管弹簧	3/8" (长度1m)	80	16/15					

BUILT-IN COPPER TUBE BENDING RUBBER STRIP

弯管弹簧



型号 Item NO.	品名 Name	规格 (mm) Spec.	装箱数 (Pcs) Qty/Case	毛净重 (Kg) G.W./N.W
CT-205-L	Built-in Copper Tube Bending Rubber Strip	1/4", 3/8", 1/2", 5/8" (长度4m)	12	11/10
CT-205-04	内置铜管弯管胶条	1/4" (红色 长度4m)	单重:0.044kg/PCS	
CT-205-06	内置铜管弯管胶条	3/8" (绿色 长度4m)	单重:0.135kg/PCS	
CT-205-08	内置铜管弯管胶条	1/2" (黄色 长度4m)	单重:0.273kg/PCS	



- 可代替手动弯管器弯曲铜管弯管前插入铜管内部，即可弯管，弯管前需要去除管口毛刺，以免损伤胶条。
- Instead of a manual pipe bender, you can bend the copper pipe by inserting it into the copper pipe before bending the pipe. Before bending the pipe, remove burrs from the pipe mouth to avoid damage to the rubber strip.
- 用于较长铜管作业，将胶条插入铜管内，可以有效保护铜管不被压扁，或者出现褶皱折痕，保证铜管圆整度。
- For long copper pipe operations, insert the rubber strip into the copper pipe, which can effectively protect the copper pipe from being flattened or wrinkled, and ensure the roundness of the copper pipe.

型号 Item NO.	品名 Name	规格 (mm) Spec.	装箱数 (Pcs) Qty/Case	毛净重 (Kg) G.W./N.W
CT-205-10	Built-in Copper Tube Bending Rubber Strip	5/8" (蓝色 长度4m)	单重:0.422kg/PCS	
CT-205-12	内置铜管弯管胶条	3/4" (紫色 长度4m)	单重:0.656kg/PCS	
CT-205-14	内置铜管弯管胶条	7/8" (黑色 长度4m)	单重:0.915kg/PCS	

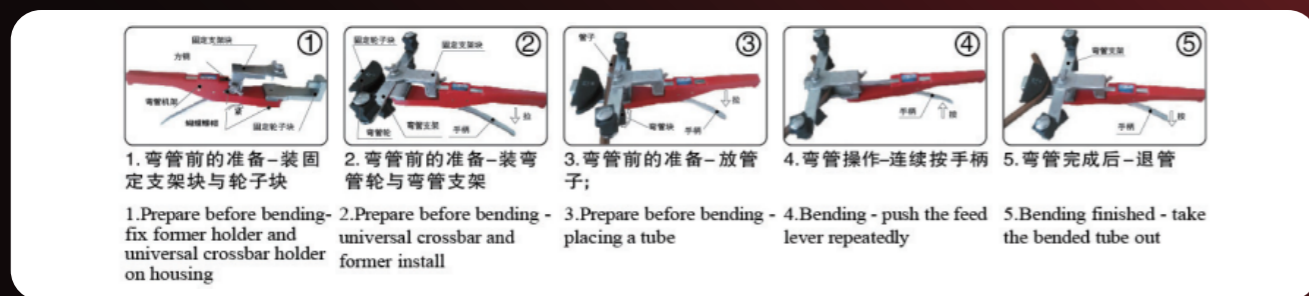
90°MULTI BENDER KIT

90°手动组合弯管器



- 特点:
- 用于 6MM 到 22MM 软管, 带涂层软管。
- 也可用于 22MM 以下多层管。
- Features:
- For 6MM to 22MM hoses, including coated hoses.
- It can also be used for multi-layer tubes with diameters below 22MM.

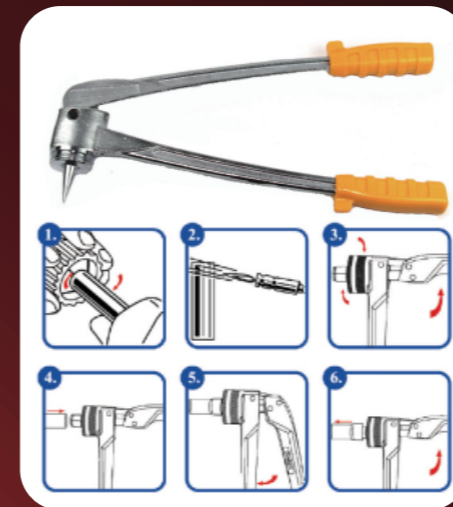
反弯管操作说明: Revers Tube Bending Instruction



型号 Item NO.	品名 Name	规格 (mm) Spec.	材质 Material	装箱数 (Pcs) Qty/Case	毛净重 (Kg) G.W/N.W	纸箱尺寸(cm) Carton Size
CT-999	90° 组合弯管器 90° Tube Bender Kit	For Inch:1/4" 5/16" 3/8" 1/2" 5/8" 3/4" 7/8" O.D.Tubing For Metric:6,8,10,12,16,19,22mm O.D.Tubing (注:割刀可选配)(Optional Cutters)	纤维轮 Fibre wheel	4	17/16	44.5x37.5x34
CT-999F	90° 组合弯管器 90° Tube Bender Kit	For Inch:1/4" 5/16" 3/8" 1/2" 5/8" 3/4" 7/8" O.D.Tubing For Metric:6,8,10,12,16,19,22mm O.D.Tubing (注:割刀可选配)(Optional Cutters)	铝轮 Aluminum alloy wheel	4	18/17	44.5x37.5x34
CT-999RF	90° 组合弯管器 90° Tube Bender Kit	For Inch:1/4" 5/16" 3/8" 1/2" 5/8" 3/4" 7/8" O.D.Tubing For Metric:6,8,10,12,16,19,22mm O.D.Tubing (注:割刀可选配)(Optional Cutters)	铝轮 Aluminum alloy wheel	4	22/21	44.5x37.5x34

LEVER TUBE EXPANDING TOOL

杠杆式胀管器



- 去除管子内毛刺。
- 被胀的管子必需是软管或者被退过火的管子。
- 将胀管器手柄拉到90度的位置,保持住这个位置然后旋转适当尺寸的胀头到胀针上并旋紧。
- 将管子末端完全插到胀头上。
- 将杠杆向下推到底。
- 把杠杆拉回到90度位置, 拿掉胀好的管子。
- Remove the burrs inside the tube.
- The tube that is being expanded must be a soft tube or a tube that has been annealed.
- Pull the handle of the tube expander to a 90-degree position, hold it there, and then rotate the appropriate size of the expansion head onto the expansion pin and tighten it.
- Insert the end of the tube completely onto the expansion head.
- Push the lever down to the end.
- Pull the lever back to the 90-degree position and remove the expanded tube.



CT-100/CT-100-L TUBE EXPANDING KIT

- 手动、一步到位胀管器设计。不使用其它配件就可以快速胀管, 准确连接铜管, 铝管, 软钢管。
- 可自由移动、中心定位的胀针机械结构。
- 胀头爪由优质硬化钢制成。
- Manual, one-step tube expander design. It can quickly expand tubes and accurately connect copper tubes, aluminum tubes, and steel tubes without using other accessories.
- A freely movable and centrally positioned expanding needle mechanical structure.
- The expansion head claw is made of high-quality hardened steel.

型号 Item NO.	品名 Name	规格 (mm) Spec.	装箱数 (Pcs) Qty/Case	毛净重 (Kg) G.W/N.W	纸箱尺寸(cm) Carton Size
CT-100A CT-100M	杠杆式胀管器 Lever Tube Expanding Tool Kit	3/8", 1/2", 5/8", 3/4", 7/8", 1", 1-1/8" +CT-207+割刀(Tube cutter)	4	16.5/15.5	54x23x28.5
		10,12,16, 19,22,25,28mm +CT-207+割刀(Tube cutter)		18.5/17.5	44.5x37.5x34(新塑盒)
CT-100A-L CT-100M-L	杠杆式胀管器 Lever Tube Expanding Tool Kit	3/8"1/2" 5/8"3/4" 7/8"1"1-1/8"1-1/4"1-3/8"1-1/2"& 1-5/8" +CT-207+割刀(Tube cutter)	4	20/19	54x23x28.5
		10,12,16,19,22,25,28,32,35,38 &42mm +CT-207+割刀(Tube cutter)		22/21	44.5x37.5x34(新塑盒)

HYDRAULIC TUBE EXPANDER

液压胀管器

STRAIGHT HANDLE HYDRAULIC TUBE EXPANDER

可单手操作-直柄液压胀管器



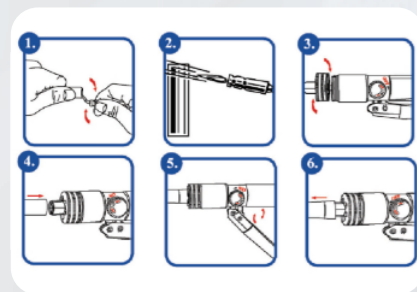
CT-300 液压枪



CT-S300 液压枪

- 手动液压胀管设计。
- 可轻松胀10mm至42mm直径管子。
- 适合铜管、铝管、钛管、不锈钢管及软铁管等。
- 胀头爪由优质硬化钢制成。

- Manual hydraulic tube expanding design.
- It can easily expand tubes with diameters ranging from 10mm to 42mm.
- Suitable for copper tubes, aluminum tubes, titanium tubes, stainless steel tubes, and soft iron tubes.
- The expansion head claw is made of high-quality hardened steel.



- 除去管内毛刺。
- 如果有必要,给管子退火(用于硬管或者厚管)。
- 将胀头旋到胀管器上。
- 将管子末端放到用头上。
- 将减压阀旋钮向 'ON' 方向并扭紧然后反复压动手柄直到管子完全胀开。
- 将减压阀旋钮旋至 'OFF' 位, 松开胀头, 取下胀好的管子。

- Remove the burrs inside the tube.
- If necessary, anneal the tube (for hard or thick tubes).
- Screw the expansion head onto the tube expander.
- Place the end of the tube onto the head.
- Turn the pressure relief valve knob to the 'ON' position and tighten it, then repeatedly press the handle until the tube is fully expanded.
- Turn the pressure relief valve knob to the 'OFF' position, loosen the expansion head, and remove the expanded tube.



型号 Item NO.		规格 (mm) Spec.	装箱数 (Pcs) Qty/Case	毛净重 (Kg) G.W./N.W	纸箱尺寸(cm) Carton Size
液压胀管器 Hydraulic Tube Expander Tool Kit	可单手操作-直柄液压胀管器 Can be operated with one hand Straight Handle Hydraulic Tube Expander				
CT-300A	CT-S300A	3/8", 1/2", 5/8", 3/4", 7/8", 1", 1-1/8" +CT-207+CT-650(可选配CT-107割刀)	4	18.5/17.5	44.5x37.5x34 (新塑盒)
CT-300M	CT-S300M	10, 12, 16, 19, 22, 25, 28 mm+CT-207 +CT-650(可选配CT-107割刀)			
CT-300A-L	CT-S300A-L	3/8", 1/2", 5/8", 3/4", 7/8", 1", 1-1/8", 1-1/4", 1-3/8", 1-1/2", 1-5/8", +CT-207 +CT-650 (可选配CT-107割刀)	4	22/21	44.5x37.5x34 (新塑盒)
CT-300M-L	CT-S300M-L	10, 12, 16, 19, 22, 25, 28, 32, 35, 38, 42 mm+CT-207+CT-650 (可选配CT-107割刀)			

HIGH-QUALITY HYDRAULIC TUBE EXPANDER

精品液压胀管器



CT-N300 液压枪



- 可单手操作。
- 手动液压胀管设计。
- 可轻松胀10mm至42mm直径管子。
- 适合铜管、铝管、钛管、不锈钢管及软铁管等。
- 胀头爪由优质硬化钢制成。

- It can be operated with one hand.
- Manual hydraulic tube expanding design.
- It can easily expand tubes with diameters ranging from 10mm to 42mm.
- Suitable for copper pipes, aluminum pipes, titanium pipes, stainless steel pipes, and soft iron pipes, etc.
- The expansion head claw is made of high-quality hardened steel.

- 除去管内毛刺。
- 如果有必要,给管子退火(用于硬管或者厚管)。
- 将胀头旋到胀管器上。
- 将管子末端放到用头上。
- 将减压阀旋钮向 'WORK' 方向并扭紧然后反复压动手柄直到管子完全胀开。
- 将减压阀旋钮旋至 'RESET' 位, 松开胀头, 取下胀好的管子。

- Remove the burrs inside the tube.
- If necessary, anneal the tube (for hard or thick tubes).
- Screw the expansion head onto the tube expander.
- Place the end of the tube on top.
- Turn the knob of the pressure relief valve towards the 'WORK' direction and tighten it, then repeatedly press the handle until the pipe is fully expanded.
- Turn the pressure relief valve knob to the 'RESET' position, release the expansion head, and remove the expanded tube.



型号 Item NO.	品名 Name	规格 (mm) Spec.	装箱数 (Pcs) Qty/Case	毛净重 (Kg) G.W./N.W	纸箱尺寸(cm) Carton Size
CT-N300A	精品液压胀管器 High-quality Hydraulic Tube Expander	3/8", 1/2", 5/8", 3/4", 7/8", 1", 1-1/8" +CT-207+CT-208+CT650	4	20/19	44.5x37.5x34
CT-N300M		10, 12, 16, 19, 22, 25, 28 mm+CT-207 +CT-207+CT-208+CT650			
CT-N300A-L	精品液压胀管器 High-quality Hydraulic Tube Expander	3/8", 1/2", 5/8", 3/4", 7/8", 1", 1-1/8", 1-1/4", 1-3/8", 1-1/2", 1-5/8", +CT-207+CT-208+CT-650	4	23.5/22.5	44.5x37.5x34
CT-N300M-L		10, 12, 16, 19, 22, 25, 28, 32, 35, 38, 42mm+CT-207+CT-208+CT-650			



胀头规格 Expander Heads Size		注:以下胀头为非标准规格, 常规组套内无此规格, 需单独采购	
Inch Item NO.	SPEC 规格	Genrcal 通用	Metrie Item 公制型号
100A-1	3/8"		100M-1 10mm
100A-2	1/2"		100M-2 12mm
100A-3	5/8"	=	100M-3 16mm
100A-4	3/4"	=	100M-4 19mm
100A-5	7/8"	=	100M-5 22mm
100A-6	1"		100M-6 25mm
100A-7	1-1/8"		100M-7 28mm
100A-8	1-1/4"	=	100M-8 32mm
100A-9	1-3/8"	=	100M-9 35mm
100A-10	1-1/2"	=	100M-10 38mm
100A-11	1-5/8"	=	100M-11 42mm

液压胀管器顶针 Hydraulic tube expander thimble	
型号	规格
CT-300-N1 小顶针	适用于CT-300液压枪 6mm-42 mm(1/4"-1-5/8")胀头
CT-N300-N1 小顶针	适用于CT-N300/CT-S300液压枪 6mm-42 mm(1/4"-1-5/8")胀头

胀头规格 Expander Heads Size	
Inch Item NO.	SPEC 规格
100A-12	1-3/4" = 100M-12 45mm
100A-13	1-7/8" = 100M-13 48mm
100A-14	2" = 100M-14 50mm
100A-15	2-1/8" = 100M-15 54mm

SWAGING NEEDLE

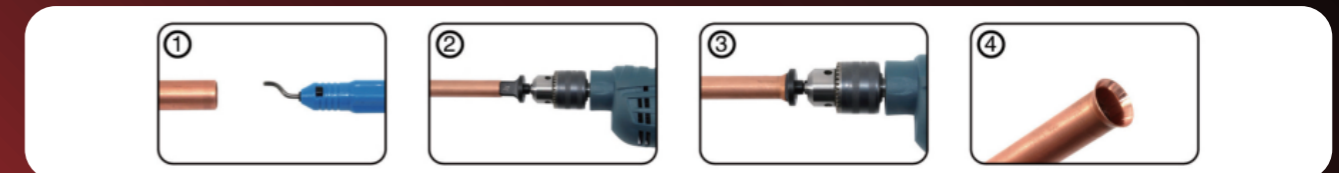
电动胀管器胀针



型号 Item NO.	品名 Name	规格 (mm) Spec.	描述 Description	装箱数 (Pcs) Qty/Case	毛净重 (Kg) G.W./N.W	纸箱尺寸(cm) Carton Size
CT-900S -6-8-10mm	电动胀管器胀针 Swaging Needle	6mm, 8mm, 10mm	用于胀6, 8, 10mm外径的管子	100	9/8	20×20×20
CT-900S -9-12mm	电动胀管器胀针 Swaging Needle	9mm, 12mm	用于胀9, 12mm外径的管子	100	9/8	20×20×20
CT-900S -04-05-06	电动胀管器胀针 Swaging Needle	1/4", 5/16", 3/8"	用于胀1/4", 5/16", 3/8"外径的管子	100	9/8	20×20×20
CT-900S-08-10	电动胀管器胀针 Swaging Needle	1/2", 5/8"	用于胀1/2", 5/8"外径的管子	100	9/8	20×20×20
CT-900S-12	电动胀管器胀针 Swaging Needle	3/4"	用于胀3/4"外径的管子	100	9/8	20×20×20
CT-900S-14	电动胀管器胀针 Swaging Needle	7/8"	用于胀7/8"外径的管子	100	9/8	20×20×20
CT-900S-A	电动胀管器胀针 Swaging Needle	1/4", 5/16", 3/8", 1/2", 5/8", 3/4", 7/8"	含有CT-900S-04-05-06, CT-900S-08-10, CT-900S-12, CT-900S-14胀针的组合	20	7/6	38.5×20×21.5
CT-900S-AM	电动胀管器胀针 Swaging Needle	公制 metric: 6, 8, 9, 10, 12mm 英制 inch: 1/4", 5/16", 3/8", 1/2", 5/8", 3/4", 7/8"	含有CT-900S-04-05-06, CT-900S-08-10, CT-900S-12, CT-900S-14, CT-900S-6-8-10mm, CT-900S-9-12mm胀针的组合	20	8/7	38.5×20×21.5
CT-900S-4S	四合一电动胀管器胀针 4-in-1 Swaging Needle	1/4", 3/8", 1/2", 5/8" (机械加工和线切割) Machining & wire cutting	用于胀1/4"(6mm), 3/8"(9mm), 1/2"(12mm) 5/8"(16mm)外径的管子	100	9/8	40×23×20
CT-900S-5S	五合一电动胀管器胀针 5-in-1 Swaging Needle	1/4", 3/8", 1/2", 5/8", 3/4" (机械加工和线切割) Machining & wire cutting	用于胀1/4"(6mm), 3/8"(9mm), 1/2"(12mm) 5/8"(16mm), 3/4"(19mm)外径的管子	100	10.5/9.5	40×23×20
CT-N900S-A	电动胀管器胀针 Swaging Needle	1/4", 3/8", 1/2", 5/8", 3/4", 7/8" (精密铸造一次成型) Precision casting	含有CT-N900S-04, CT-N900S-06, CT-N900S-08, CT-N900S-10, CT-N900S-12, CT-N900S-14胀针的组合	20	5/4	38.5×20×21.5
CT-N900S-5S	五合一电动胀管器胀针 5-in-1 Swaging Needle	1/4", 3/8", 1/2", 5/8", 3/4" (精密铸造一次成型) Precision casting	用于胀1/4"(6mm), 3/8"(9mm), 1/2"(12mm), 5/8"(16mm), 3/4"(19mm)外径的管子	100	10.5/9.5	40×23×20
CT-N900S-6M	六合一电动胀管器胀针 6-in-1 Swaging Needle	6, 8, 10, 12, 16, 19mm (精密铸造一次成型) Precision casting	用于胀 6mm, 8mm, 10mm, 12mm, 16mm, 19mm 外径的管子	100	10.5/9.5	40×23×20

FLARING HEAD

电动扩管头



- 用铰刀去除管子端口内壁毛刺。
(使用过程中请全程做好安全防护措施)
1. Use a reamer to remove burrs from the inner wall of the pipe end. (Please take safety precautions throughout the entire process of use)
- 选择对应的扩头固定在电钻上。
(建议使用功率550W以上电钻)
2. Select the corresponding bit and secure it onto the drill. (It is recommended to use an electric drill with a power of 550W or higher)
- 固定住管子，将扩头插入铜管，启动电钻，进行扩管作业。
(建议使用万能扩管器夹板夹持固定铜管)
3. Fix the pipe, insert the expanding head into the copper pipe, start the electric drill, and proceed with the pipe expanding operation. (It is recommended to use a universal pipe expander clamp to hold and fix the copper pipe)
- 关闭电钻，取下铜管，完成。
4. Turn off the electric drill, remove the copper tube, and that's it.

型号 Item NO.	品名 Name	规格 (mm) Spec.	描述 Description	装箱数 (Pcs) Qty/Case	毛净重 (Kg) G.W./N.W	纸箱尺寸(cm) Carton Size
CT-900F-04	电动扩管头 Flaring Head	1/4"	用于扩1/4"(6mm)外径的管子	20	7.5/6.5	38.5×20×21.5
CT-900F-06	电动扩管头 Flaring Head	3/8"	用于扩3/8"(9mm)(10mm)外径的管子	20	7.5/6.5	38.5×20×21.5
CT-900F-08	电动扩管头 Flaring Head	1/2"	用于扩1/2"(12mm)外径的管子	20	7.5/6.5	38.5×20×21.5
CT-900F-10	电动扩管头 Flaring Head	5/8"	用于扩5/8"(16mm)外径的管子	20	7.5/6.5	38.5×20×21.5
CT-900F-12	电动扩管头 Flaring Head	3/4"	用于扩3/4"(19mm)外径的管子	20	7.5/6.5	38.5×20×21.5
CT-900F	电动扩管头 Flaring Head	1/4", 3/8", 1/2", 5/8", 3/4" (机械加工和线切割) Machining & wire cutting	含有CT-900F-04, CT-900F-06, CT-900F-08, CT-900F-10, CT-900F-12 电动扩管头的组合	20	5.5/4.5	38.5×20×21.5
CT-N900F	电动扩管头 Flaring Head	1/4", 3/8", 1/2", 5/8", 3/4" (机械加工和线切割) Machining & wire cutting	含有CT-N900F-04, CT-N900F-06, CT-N900F-08, CT-N900F-10, CT-N900F-12 电动扩管头的组合	20	4.5/3.5	38.5×20×21.5

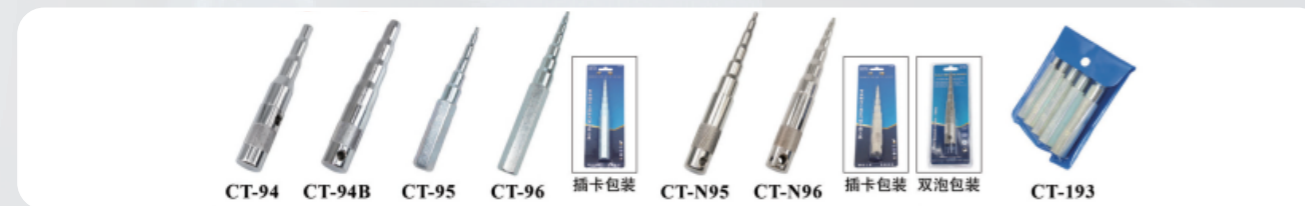
TUBE EXPANDER

手动胀管器



SWAGING PUNCH

冲棒



型号 Item NO.	品名 Name	规格 (mm) Spec.	装箱数 (Pcs) Qty/Case	毛净重 (Kg) G.W/N.W	纸箱尺寸(cm) Carton Size
CT-23 CT-23B	Tube Expander 手动胀管器	1/4", 5/16", 3/8", 1/2", 5/8", 3/4", 7/8" & 6, 8, 10, 12, 16, 19, 22mm	20	9.5/8.5	45x23x30.5
CT-94	Swaging Punch 冲棒	1/2", 5/8", 7/8"	50	19.5/18.5	43x23.5x21
CT-94B	Swaging Punch 冲棒	1/2", 5/8", 3/4", 7/8"	50	19.5/18.5	43x23.5x21
CT-95	5-in-1 Swaging Punch 5合1冲棒	1/4", 5/16", 3/8", 1/2", 5/8"	50	12.5/11.5	43x23.5x21
CT-N95	New type 5-in-1 Swaging Punch 新款5合1冲棒	1/4", 5/16", 3/8", 1/2", 5/8"	50	12/11	50.5x23x19
CT-96	6-in-1 Swaging Punch 6合1冲棒	1/4", 5/16", 3/8", 1/2", 5/8", 3/4"	50	20.5/19.5	50.5x27.5x24.5
CT-N96	New type 6-in-1 Swaging Punch 新款6合1冲棒	1/4", 5/16", 3/8", 1/2", 5/8", 3/4"	50	18/17	53x25.5x26
CT-193	Swaging Punch 5件套冲棒	1/4", 5/16", 3/8", 1/2", 5/8"	40	23.5/22.5	29x21x27

OTHER TOOLS

其他工具



型号 Item NO.	品名 Name	规格 (mm) Spec.	装箱数 (Pcs) Qty/Case	毛净重 (Kg) G.W/N.W	纸箱尺寸(cm) Carton Size
CT-201	Pinch-off-plier B型封口钳	≤6mm	50	17/16	48x26.5x21
CT-201B	Pinch-off-plier (with edge) B型封口钳(带包边)	≤6mm	50	18/17	48x26.5x25
CT-204	Pinch-off-plier 93型封口钳	≤10mm	50	21/20	53x20.5x31
CT-351	Fin straightener 翅片梳	调直和清洁冷凝器和散热器上的翅片 8, 9, 10, 12, 14, 15 pcs/inch	50	6/5	53x20.5x31
CT-352	Stainless Steel Fin straightener 不锈钢翅片梳	调直和清洁冷凝器和散热器上的翅片	80	7/6	46x23.5x48.5
CT-1104	Capillary Tube Cutter 毛细管剪刀	≤3mm	100	11.5/10.5	53x20.5x31
CT-1107	Capillary Tube Cutter 毛细管剪刀	0.1~3.0mm	100	16/15	53x21.5x32
CT-353	Stainless Steel Fin straightener 翅片梳	调直和清洁冷凝器和散热器上的翅片 8, 9, 10, 10, 5, 11, 12, 13, 14, 15, 16, 17, 18, 19, 20 pcs/inch	80	7/6	46x23.5x48.5
CT-1101	Capillary inspect tool Cutter 毛细管测量仪	管材尺寸: 外径英制: Ø0.072" ~7/16" 内径英制: Ø0.026" ~0.09" 外径公制: Ø5mm-12mm 内径公制: Ø0.7mm~2mm	20	15/14	38x28.5x44
CT-1101B	Capillary inspect tool Cutter 毛细管测量仪	管材尺寸: 外径英制: Ø0.072" ~7/16" 内径英制: Ø0.026" ~0.09" 外径公制: Ø5mm-12mm 内径公制: Ø0.7mm~2mm 锉刀尺寸: 3mm圆形锉刀	20	15/14	38x28.5x44

DEBURRING REAMER

去毛刺绞刀



型号 Item NO.	品名 Name	用途 Use.	装箱数 (Pcs) Qty/Case	毛净重 (Kg) G.W/N.W	纸箱尺寸(cm) Carton Size
CT-207	deburring reamer 去毛刺绞刀	用于管道端部去毛刺 Used for deburring the ends of pipes	100	5/4	43x23.5x30
CT-207+CT-207B		用于管道端部去毛刺 Used for deburring the ends of pipes	100	5/4	43x23.5x30
CT-207C		用于管道端部去毛刺 Used for deburring the ends of pipes	100	5/4	43x23.5x30
CT-207D		用于管道端部去毛刺 Used for deburring the ends of pipes	100	5/4	43x23.5x30
CT-207E		用于管道端部去毛刺(铝合金手柄) Used for deburring pipe ends (aluminum alloy handle)	100	7/6	43x23.5x30
CT-207F		用于管道端部去毛刺(铝合金手柄) Used for deburring pipe ends (aluminum alloy handle)	100	6/5	43x23.5x30
CT-207-BS1010		deburring reamer tip 去毛刺绞刀刀头	可修铜、铝、塑胶毛刺 Copper, aluminum, and plastic burrs and rough edges	500	4/3
CT-207-BS2010		可修黄铜、铁产品的修边 Trimming of brass and iron products	500	4/3	35x32x26
CT-208	Tube reamer 铜管倒角器	3/16"~1-1/2"(5~38mm)	100	6/5	40x31x34
CT-209		ABS工程塑料 5~40mm(3/16"~1-5/8")	100	5/4	48x42x31
CT-213	deburring reamer 去毛刺绞刀	ABS工程塑料 0-13mm	100	5/4	40x35x30
CT-211	Stainless steel reamer 专业不锈钢管倒角器	外径(outer diameter):16~36mm(1/4"~1-3/8") 内径(inner diameter):>5mm(3/16")	40	10/9	32x32x38.5
CT-211-SP	Reamer clamp holder 倒角器夹紧座	可搭配CT-211快速连接手电钻使用 It can be used with CT-211 quick-connect handheld electric drill. 适用于直径45mm左右的倒角器 Suitable for chamfering tools with a diameter of approximately 45mm (该工具的收缩量在2mm之间) (The contraction of the fixture is within 2mm)	40	10/9	36x22x31
CT-212	Stainless steel reamer 专业不锈钢管倒角器	外径(outer diameter): 12~54mm(1/2"~2-1/8") 内径(inner diameter):>8mm(5/16")	20	18/17	42x29x27.5
CT-212-SP	Reamer clamp holder 倒角器夹紧座	可搭配CT-212快速连接手电钻使用 Use it with CT-212 quick-connect hand drill	40	12/11	36x22x31

RATCHET WRENCH

+OTHER TOOL

制冷专用棘轮扳手+其他制冷工具



型号 Item NO.	品名 Name	规格 (mm) Spec.	装箱数 (Pcs) Qty/Case	毛净重 (Kg) G.W/N.W	纸箱尺寸(cm) Carton Size
CT-122 CT-122B CT-122L	Ratchet Wrench 制冷专用棘轮扳手	3/16", 1/4", 5/16", 3/8"	100	12.5/11.5	43x21x34
CT-123 CT-123B CT-123L	Ratchet Wrench 制冷专用棘轮扳手	3/16", 1/4", 1/2", 9/16"	100	21/19	48x26.5x34
CT-122-SP	Conversion Adapter 转换适配器	头部六方形对边尺寸3/16" 末端四方形对边尺寸1/4"	100	13/12	43x21.5x34
CT-501	Inspect Mirror 检测镜	Mirror O.D.视镜直径 32mm Diameter 杆子直径 8mm Length closed 回缩长度 127mm Length open 拉伸长度 500mm	100	5.5/4.5	50.5x27.5x24.5
CT-502	Inspect Mirror 检测镜	Mirror O.D.视镜直径 50mm Diameter 杆子直径 10mm Length closed 回缩长度 200mm Length open 拉伸长度 410mm	100	9.5/8.5	63x29.5x29
CT-503	Pick up tools 捡拾工具	Length closed:126mm Length open:637mm 伸缩长度:126~637mm	100	4/3	43x23.5x21

REFRIGERANT RECOVERY PLIER

冷媒加液回收钳

使用说明(Instructions):



- 根据铜管大小,旋转冷媒加液回收钳手柄旋杆,将冷媒加液开口调至适合大小。
According to the size of the copper tube, rotate the handle lever of the refrigerant charging and recovery pliers to adjust the opening of the refrigerant charging to a suitable size.
- 将铜管放置在制冷冷媒加液回收钳凹槽部位,以确保铜管的打孔位置。
Place the copper tube in the groove of the refrigerant charging and recovery pliers to ensure the drilling position of the copper tube.
- 缓慢施压,当冷媒加液回收钳完全闭合时,可能发出咔嚓声,表明达到额定压力,此时停止施压。
Apply pressure slowly. When the refrigerant liquid recovery clamp is fully closed, a clicking sound may be heard, indicating that the rated pressure has been reached. At this point, stop applying pressure.

- 慢慢松开手柄,刺管完成。
Slowly loosen the handle, and the piercing process is complete.

产品细节(Product Details):



型号 Item NO.	品名 Name	规格 (mm) Spec.	装箱数 (Pcs) Qty/Case	纸箱尺寸(cm) Carton Size
CT-308	冷媒加液回收钳 Refrigerant Recovery plier	4-8mm	50	55.5x30x27.5

型号 Item NO.	配件名称 Accessories Name
CT-308-SP1	锁紧螺丝+铜接头+加液钳垫圈 Locking screw + copper joint + liquid filling clamp washer
CT-308-SP2	加液钳垫圈x10 Liquid filling clamp washer x10